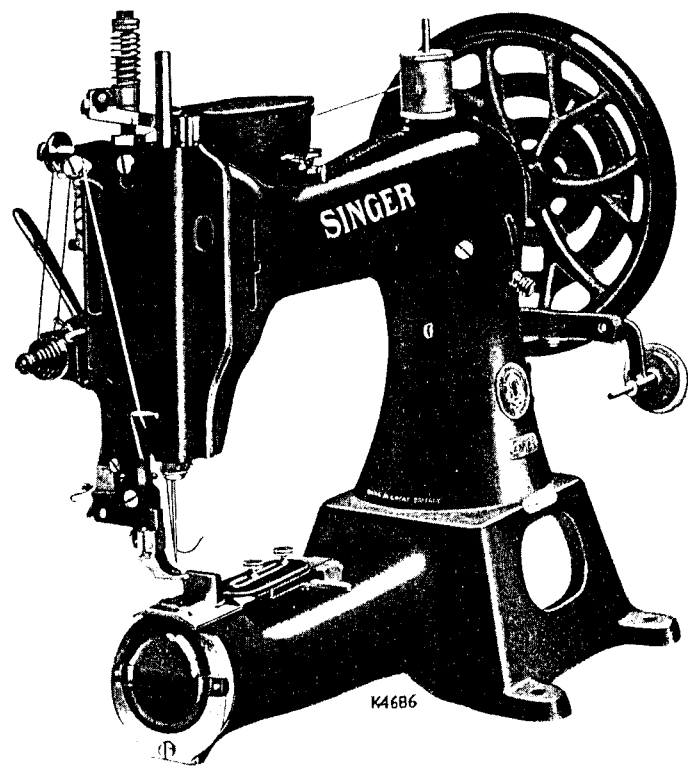


SINGER

45K56,K89

Form K6260
(Supersedes K5112)

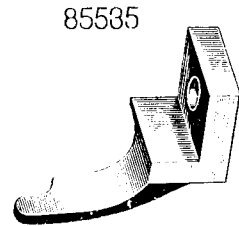
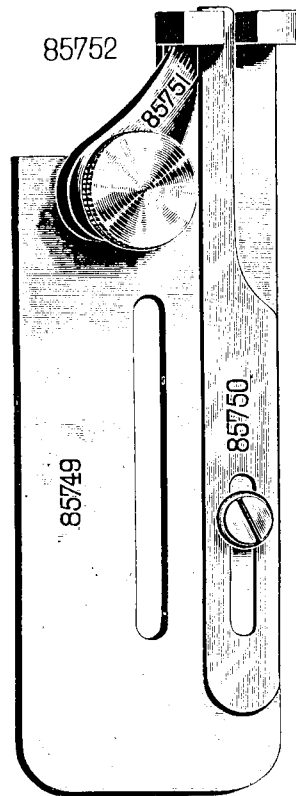
ILLUSTRATED
LIST OF PARTS
FOR
45K56 and 45K89 MACHINES



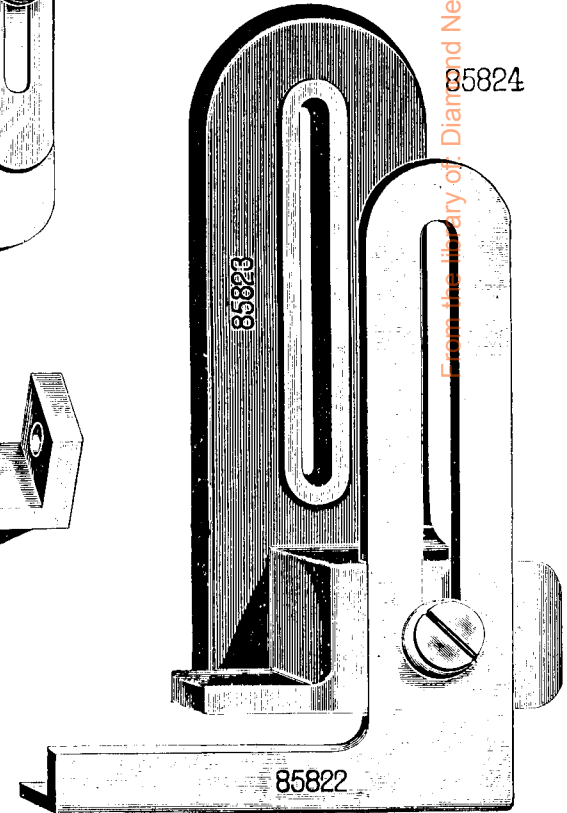
Machine No. 45K89

**A Trade Mark of THE SINGER MANUFACTURING COMPANY

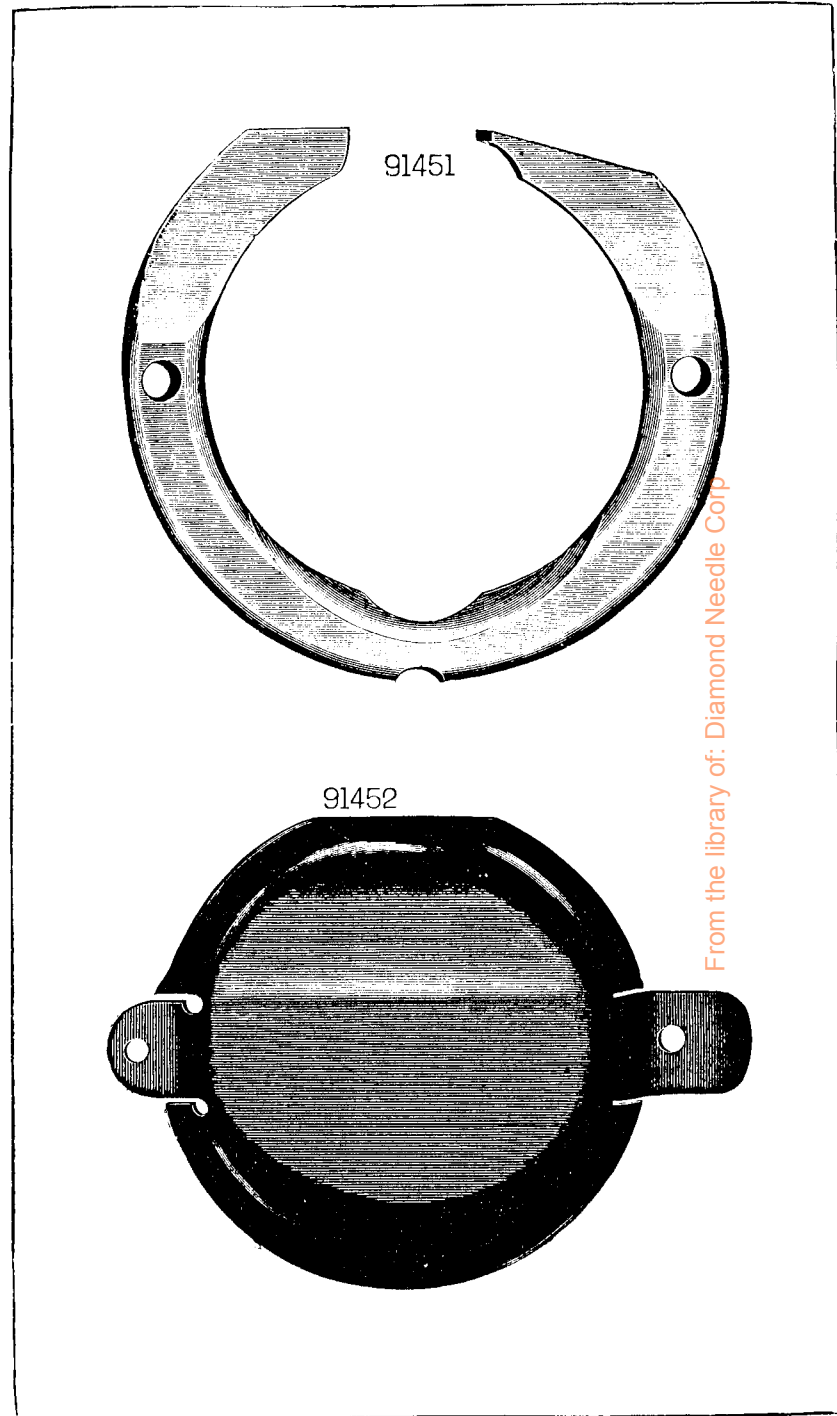
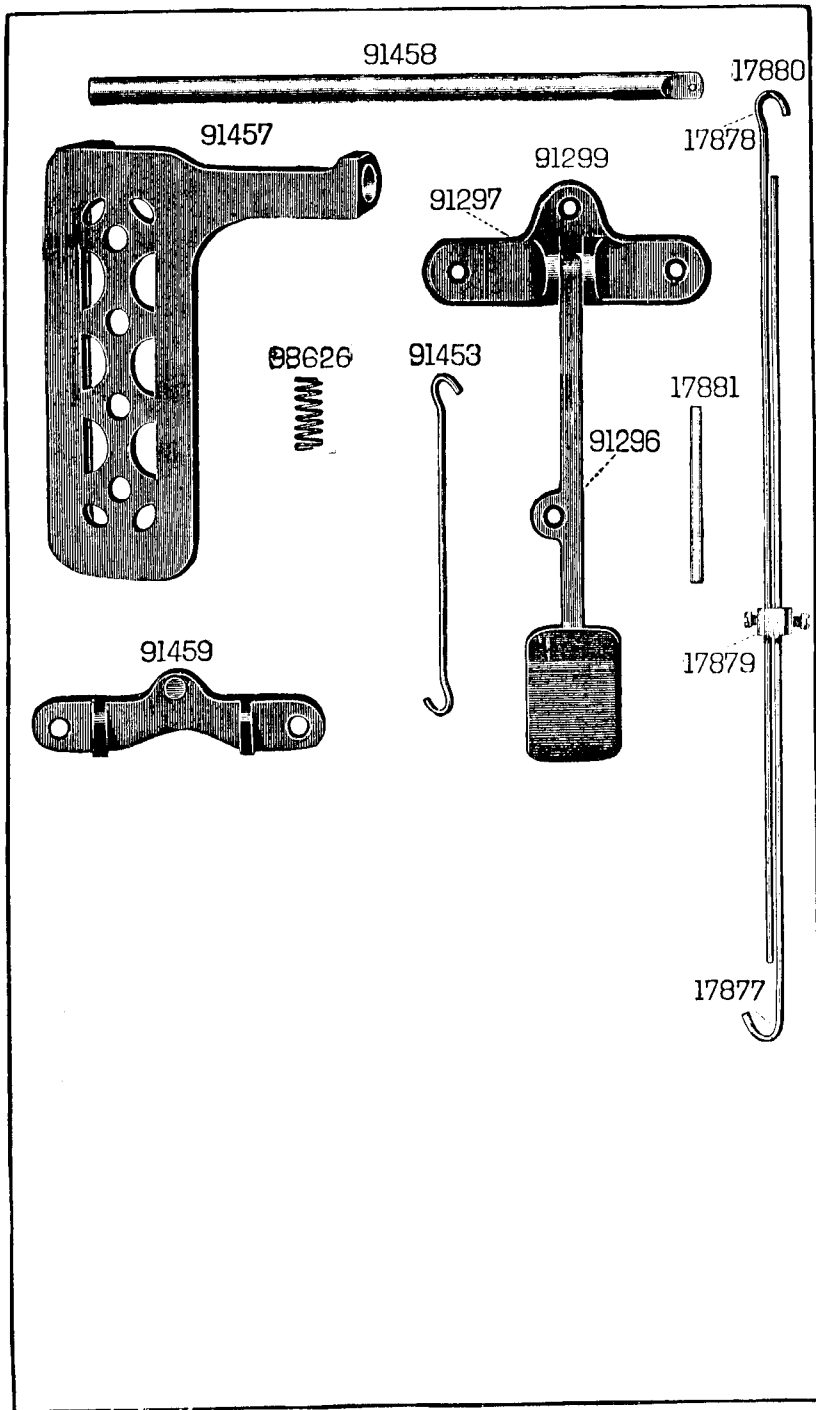
From the library of: Diamond Needle Corp



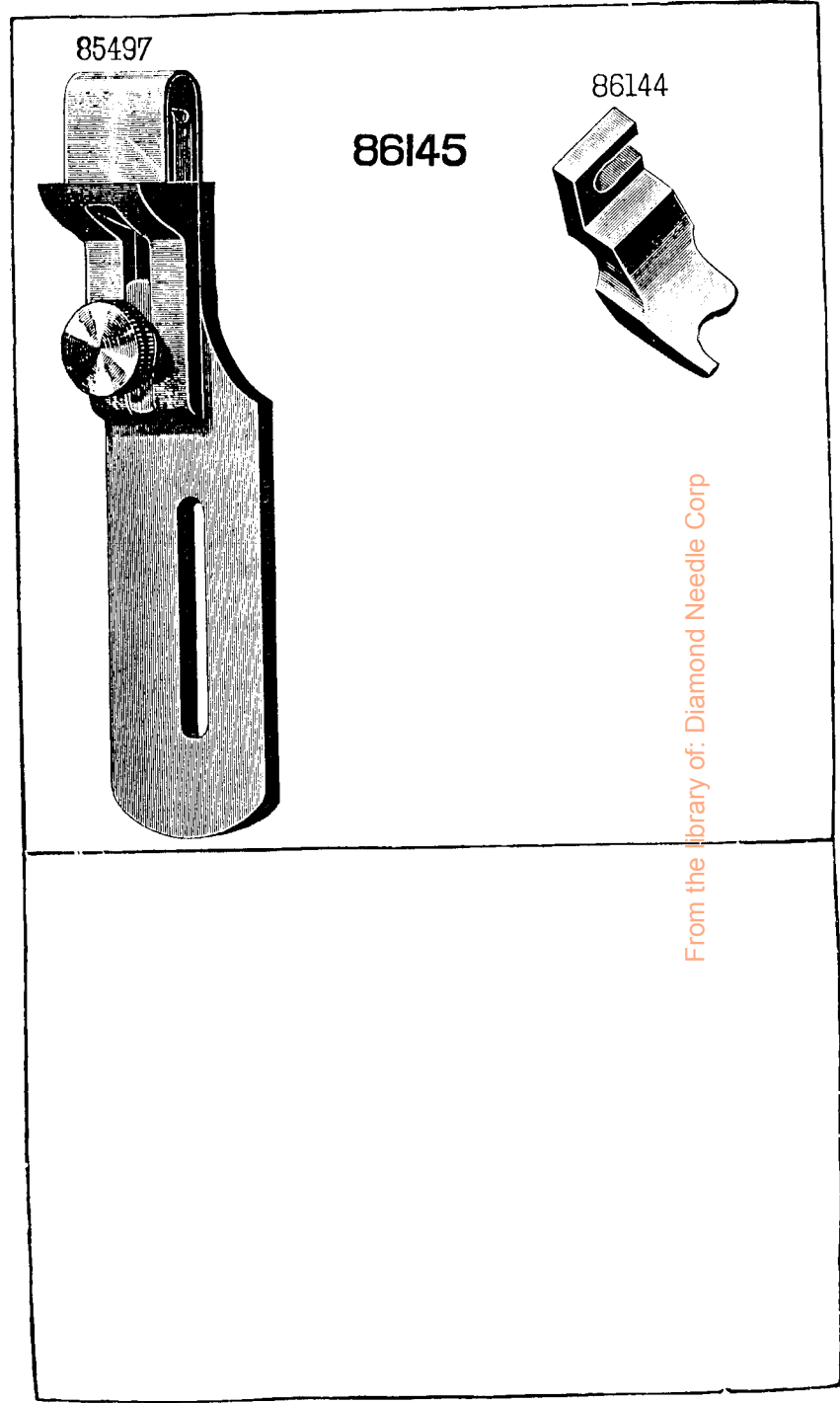
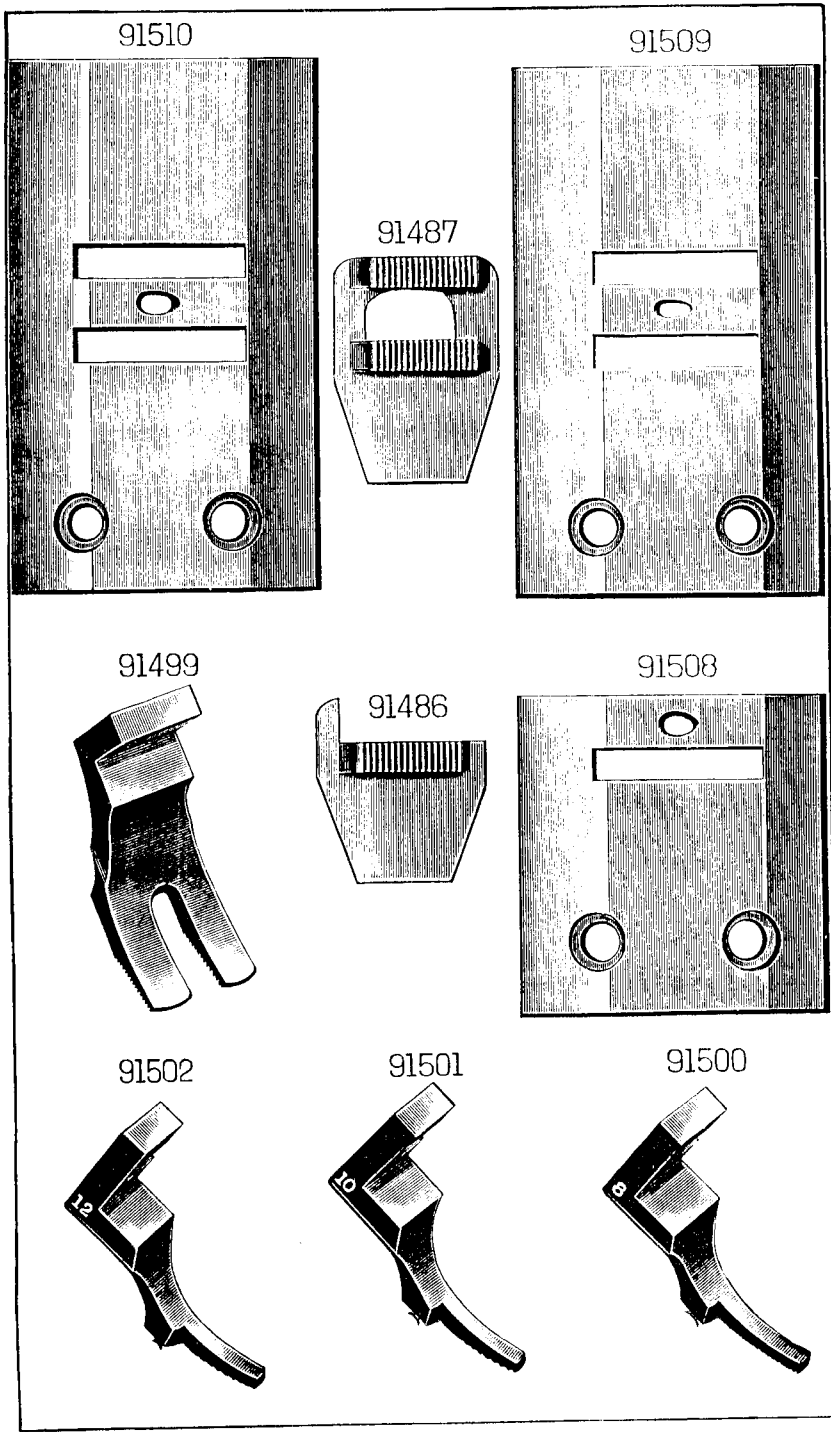
85829

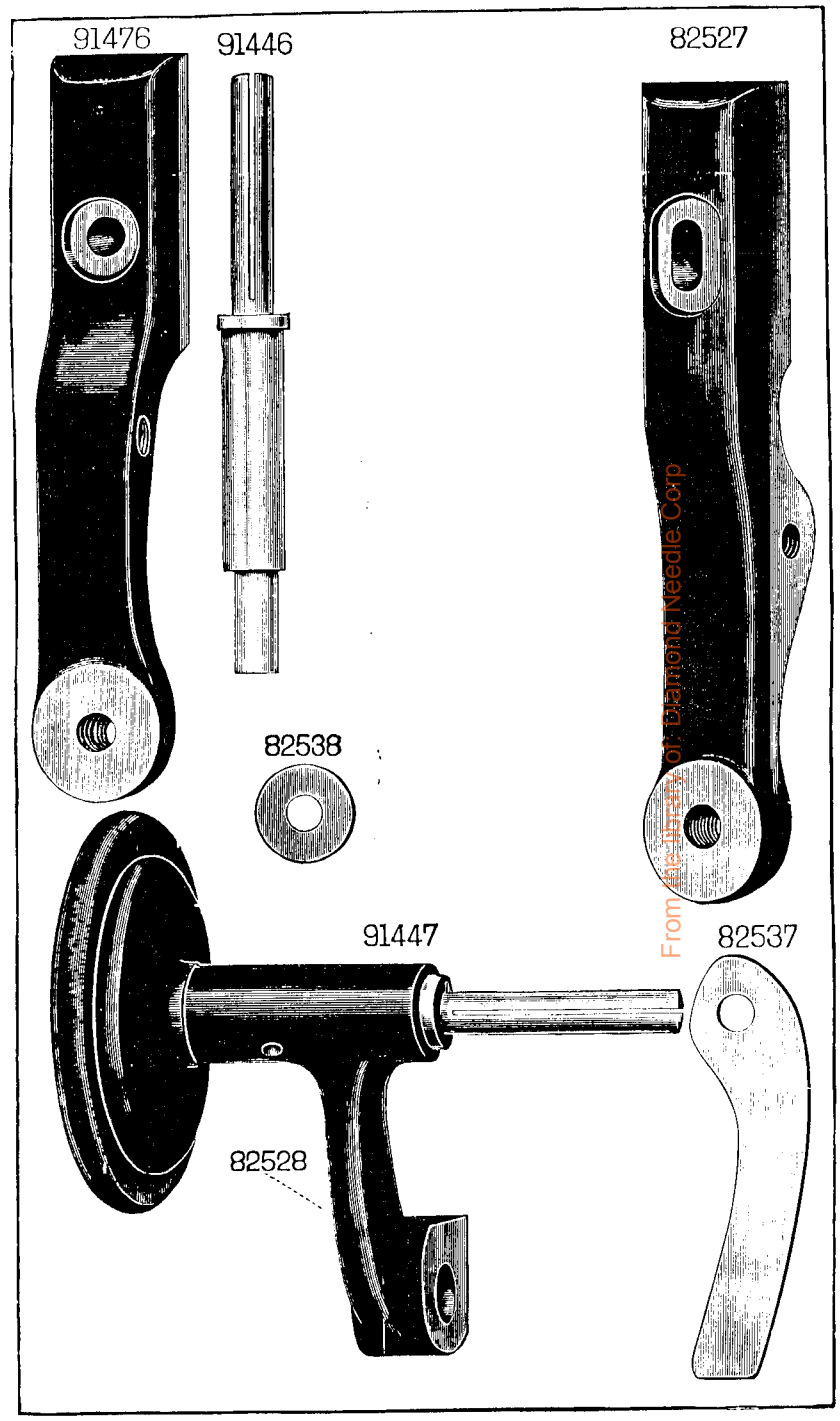
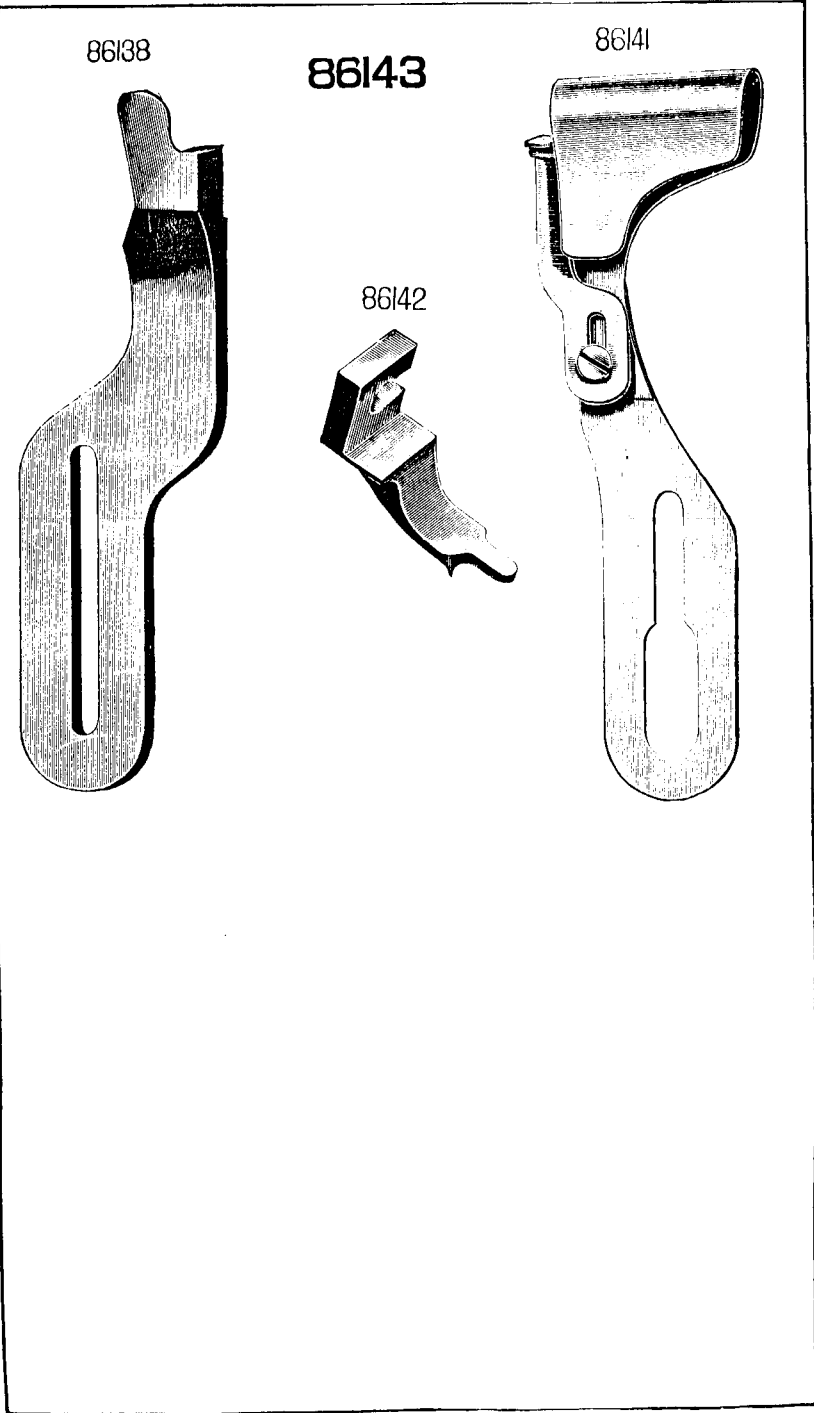


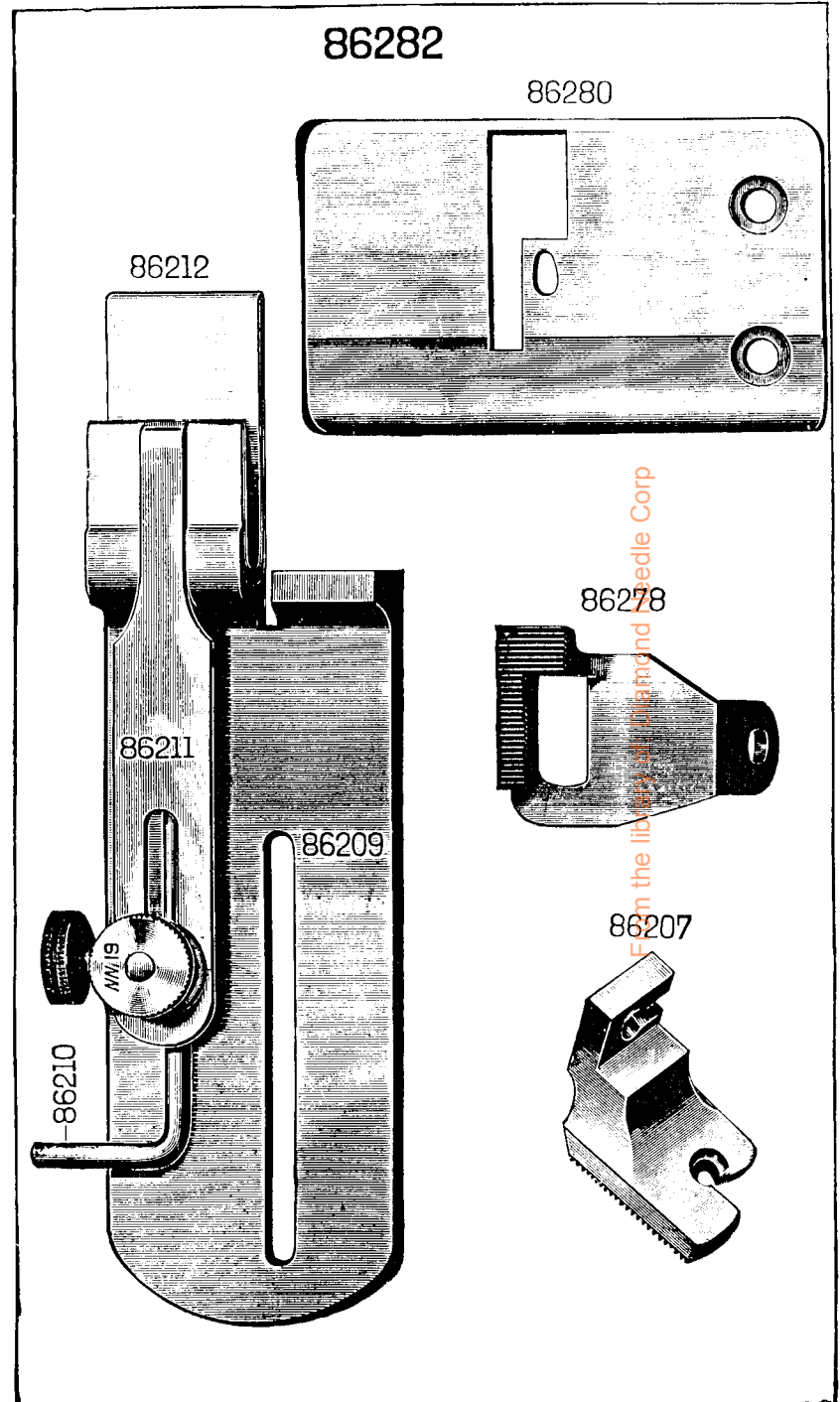
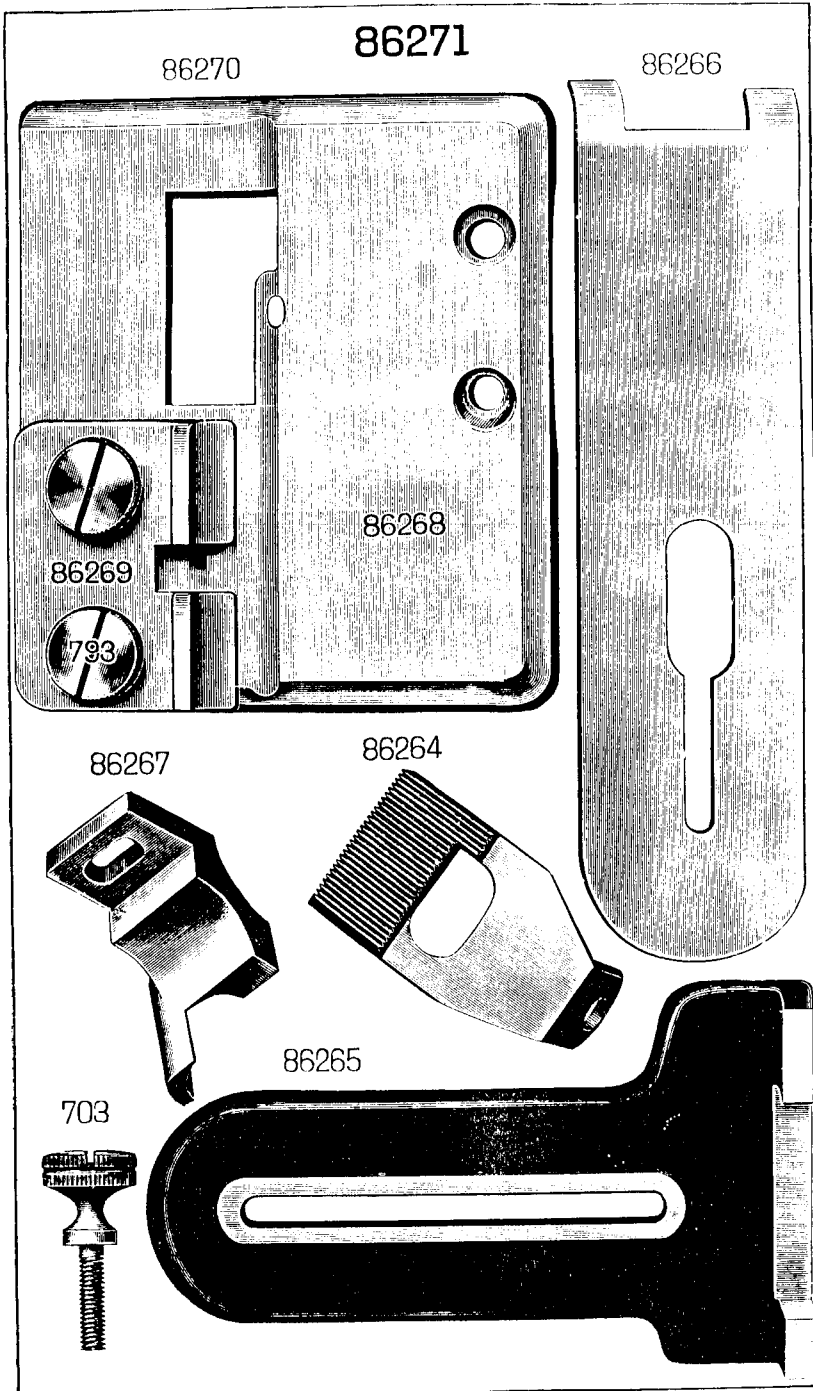
From the library of: Diamond Needle Corp



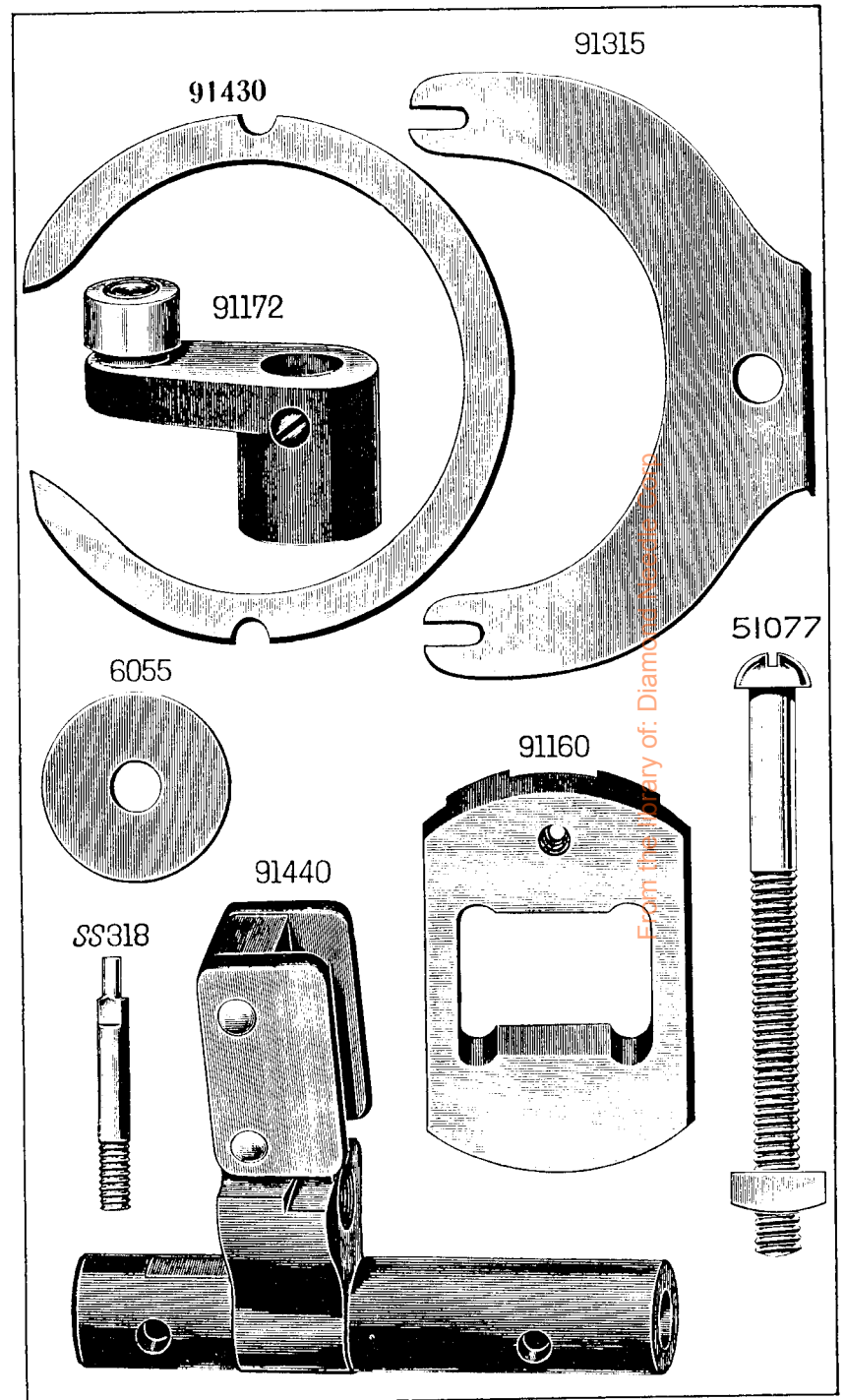
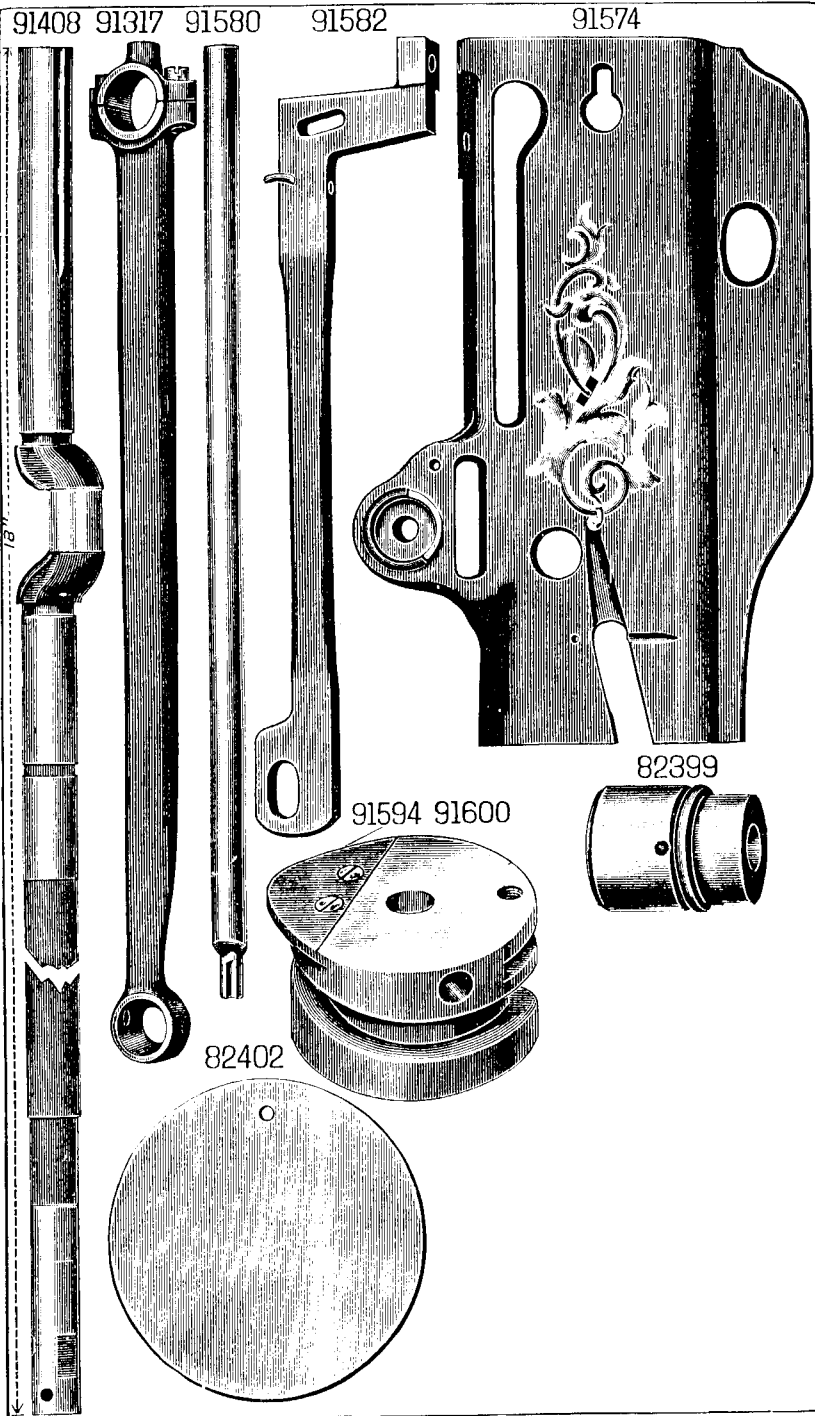
From the library of: Diamond Needle Corp

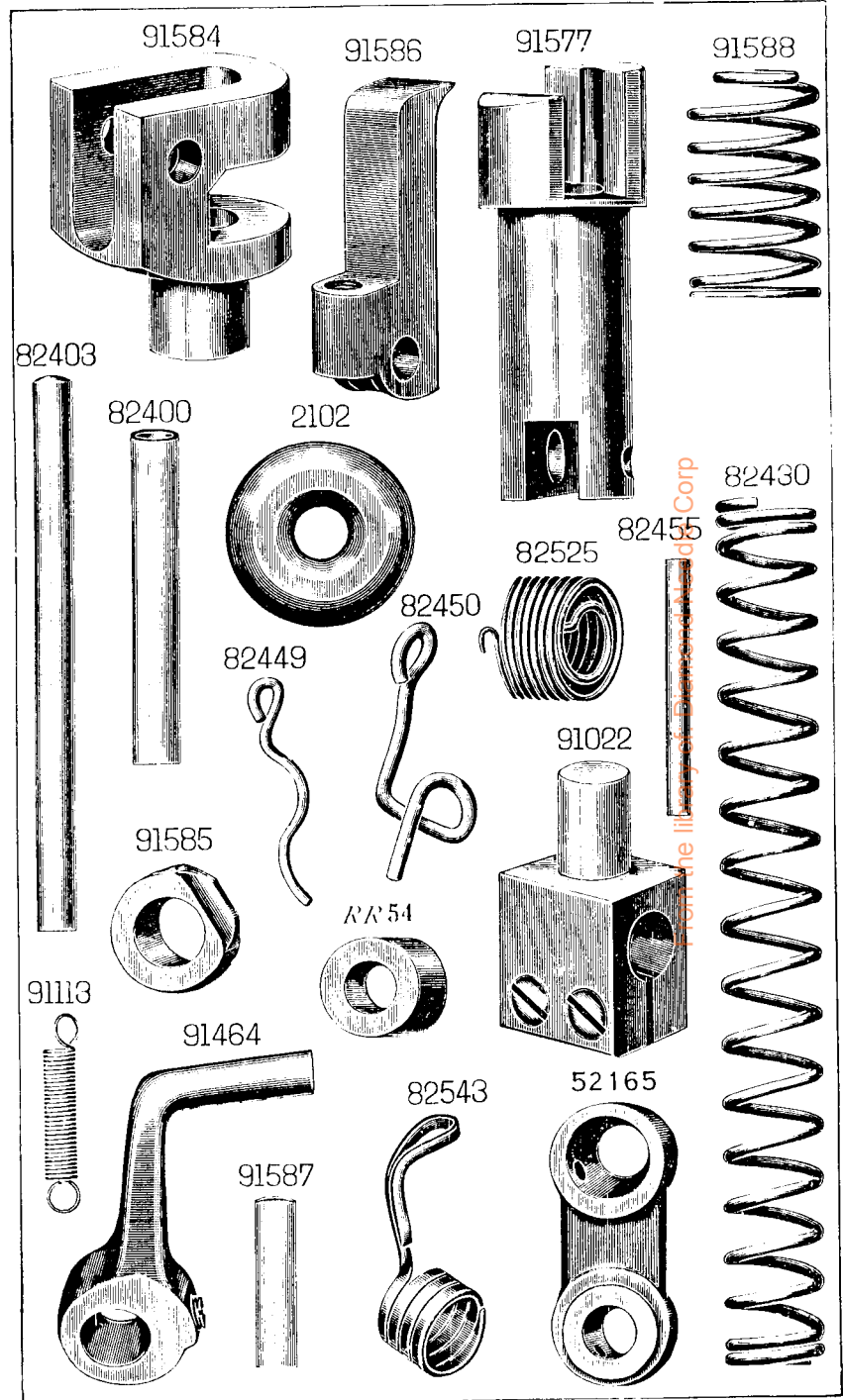
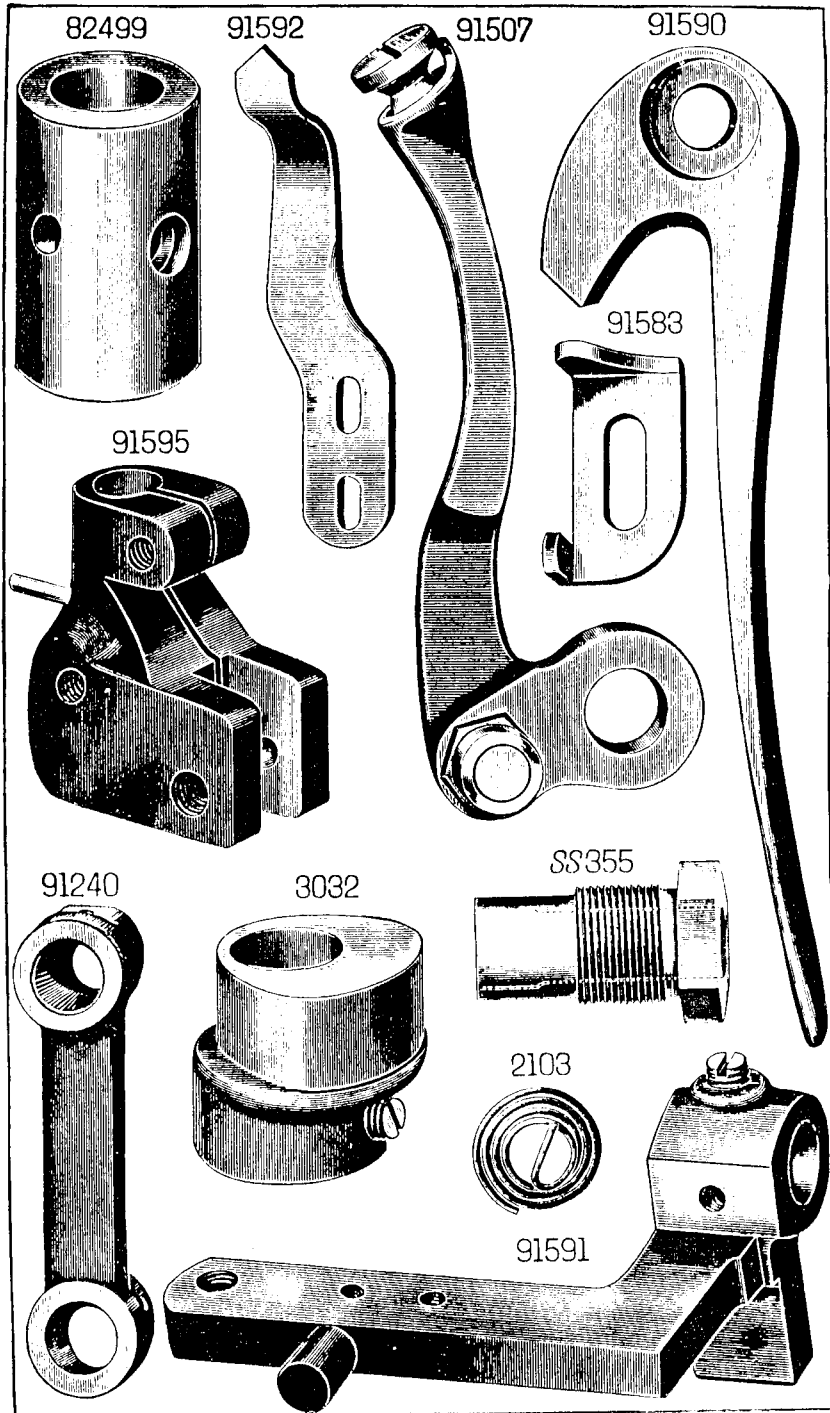


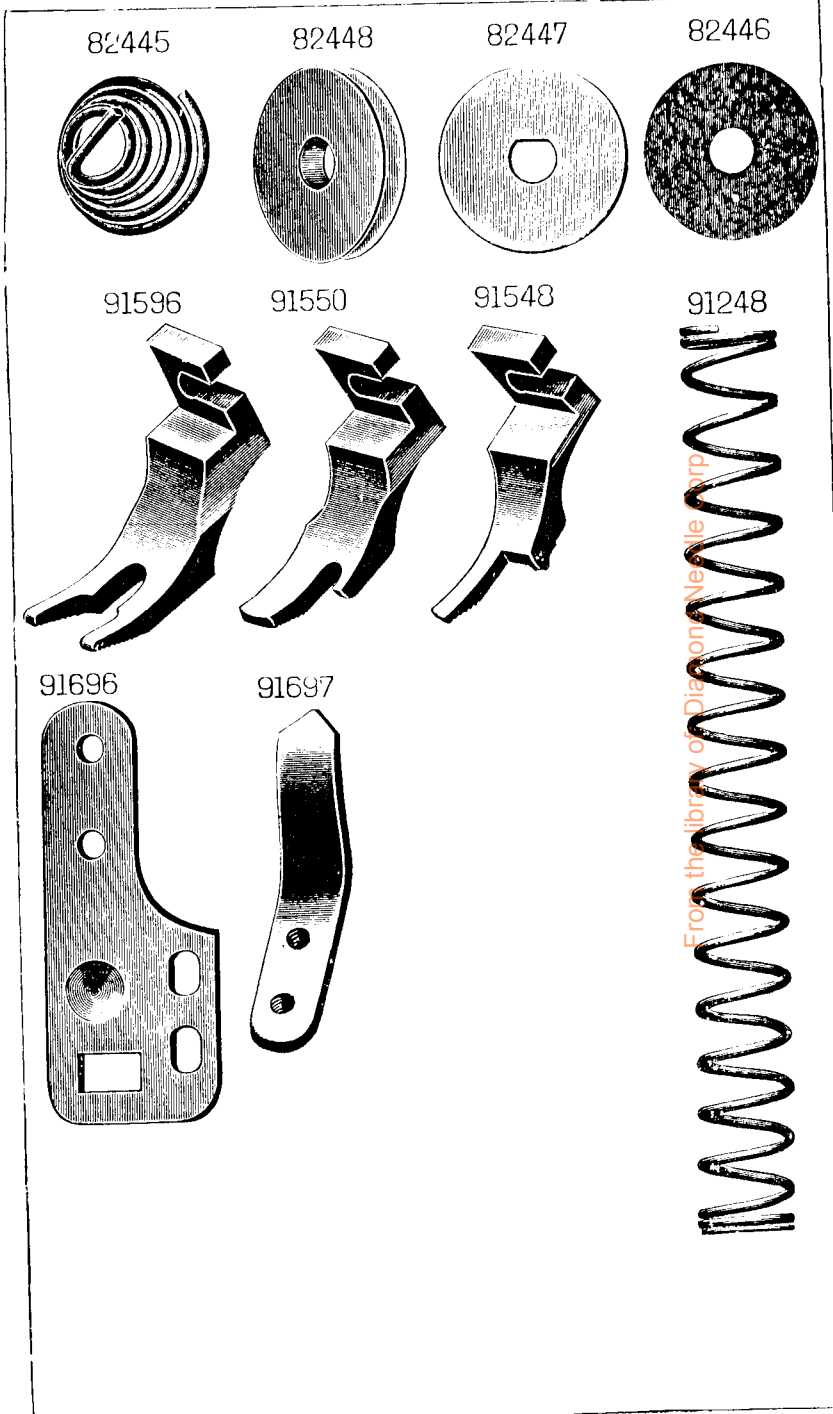
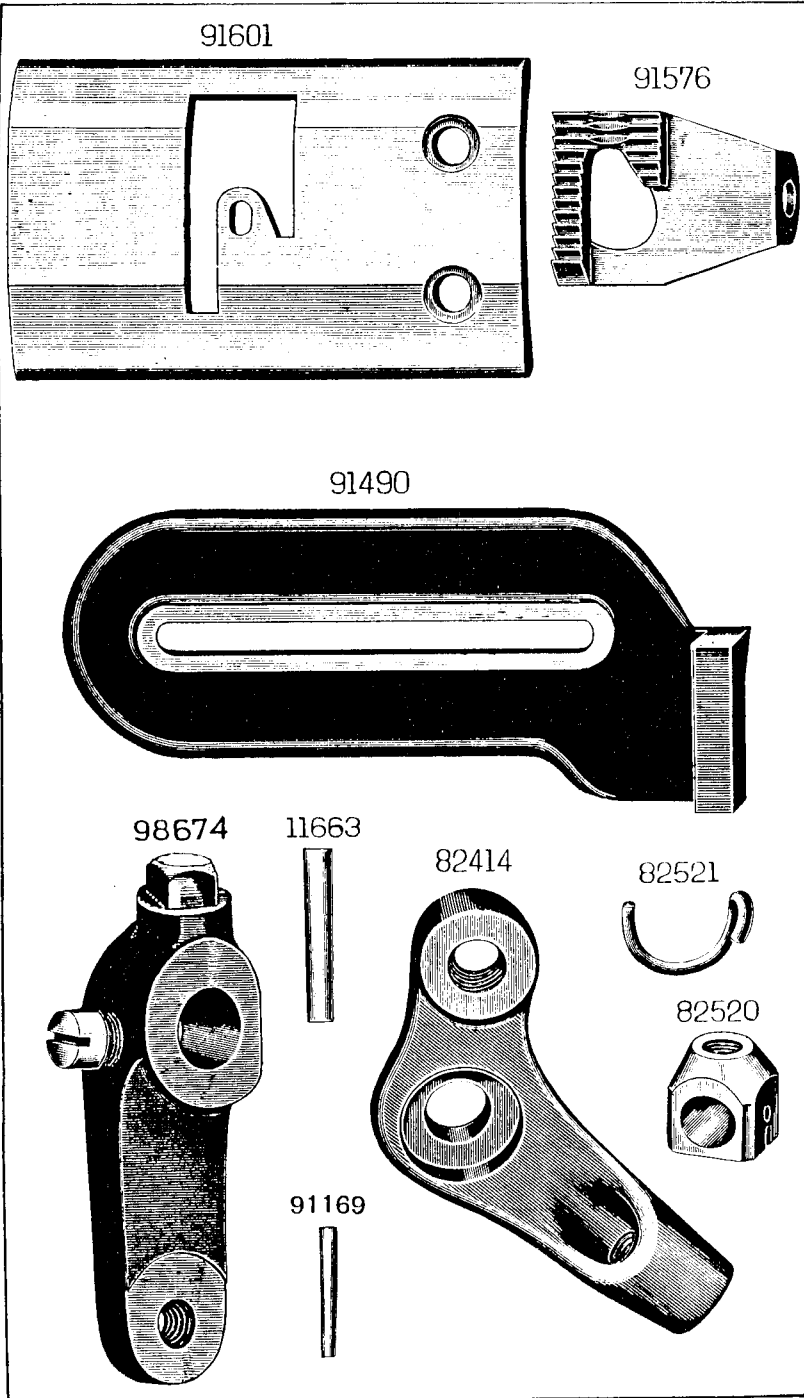




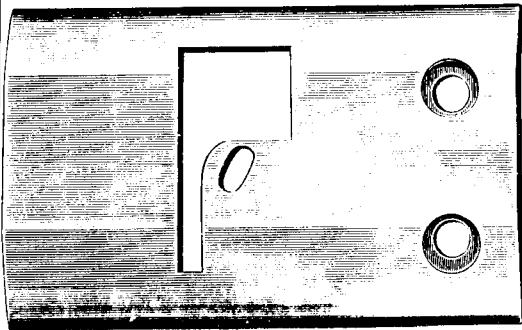
From the library of Diamond Needle Corp



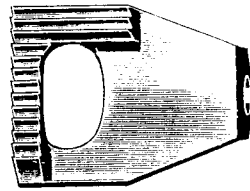




91557



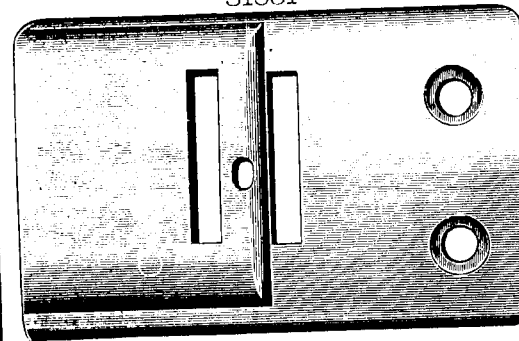
91541



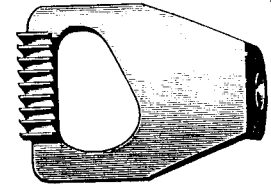
91552



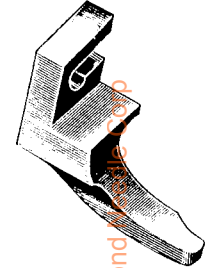
91561



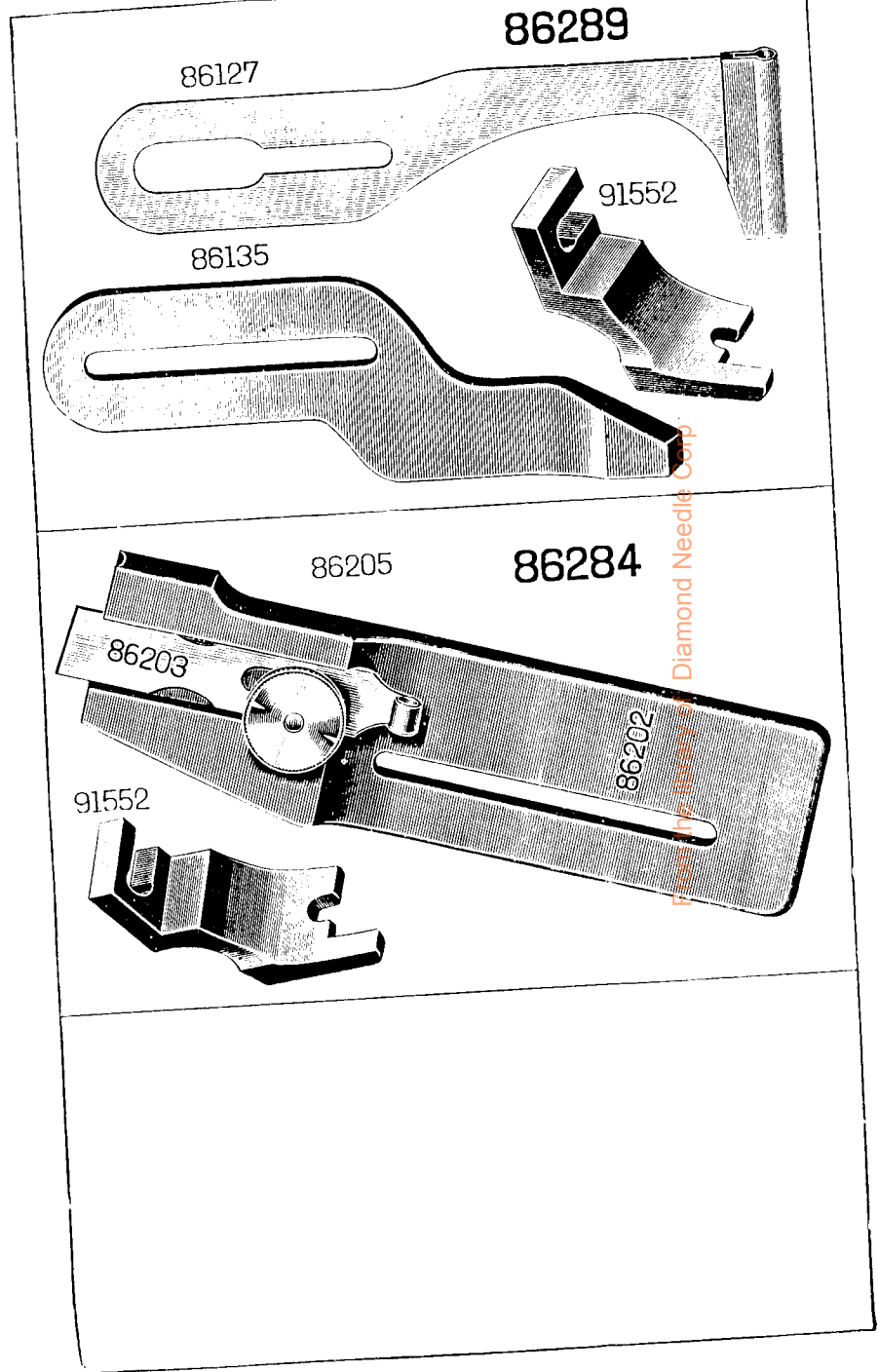
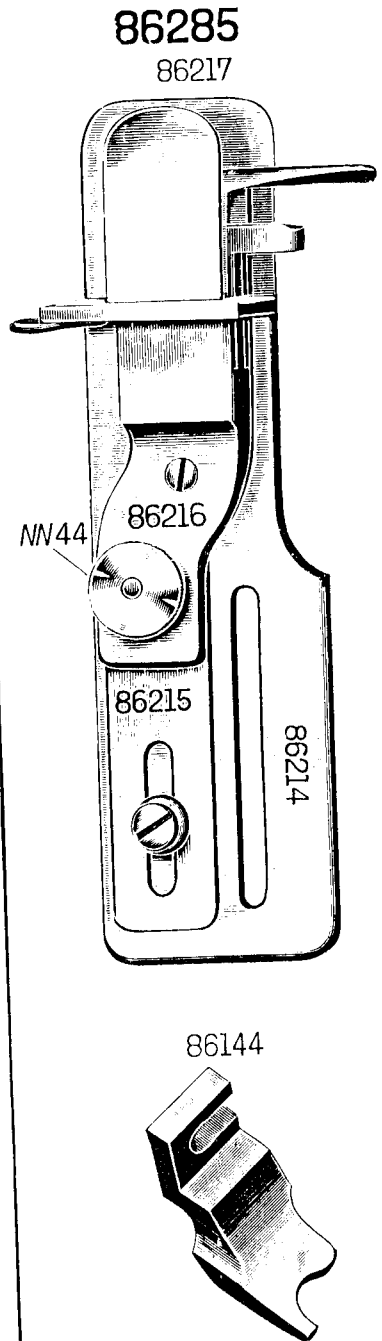
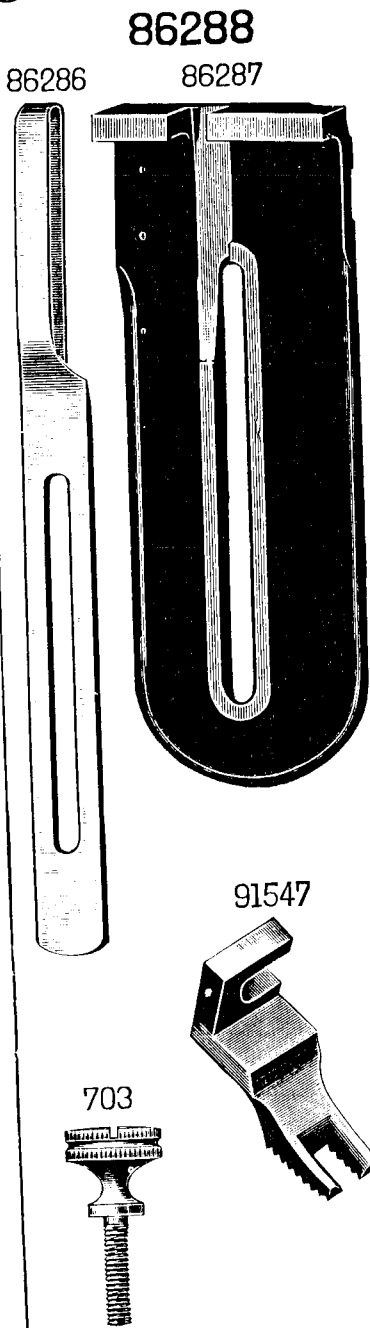
91543

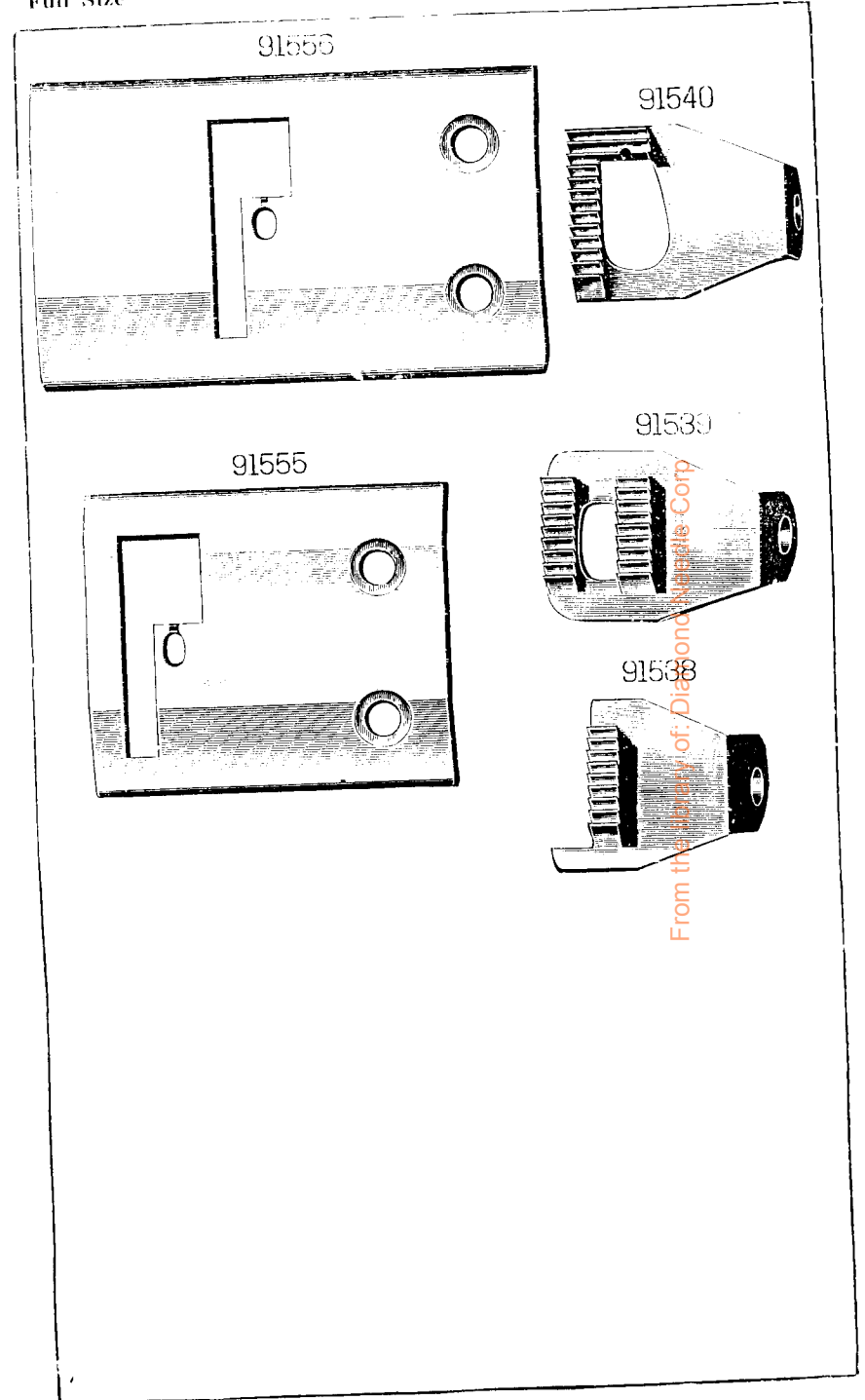
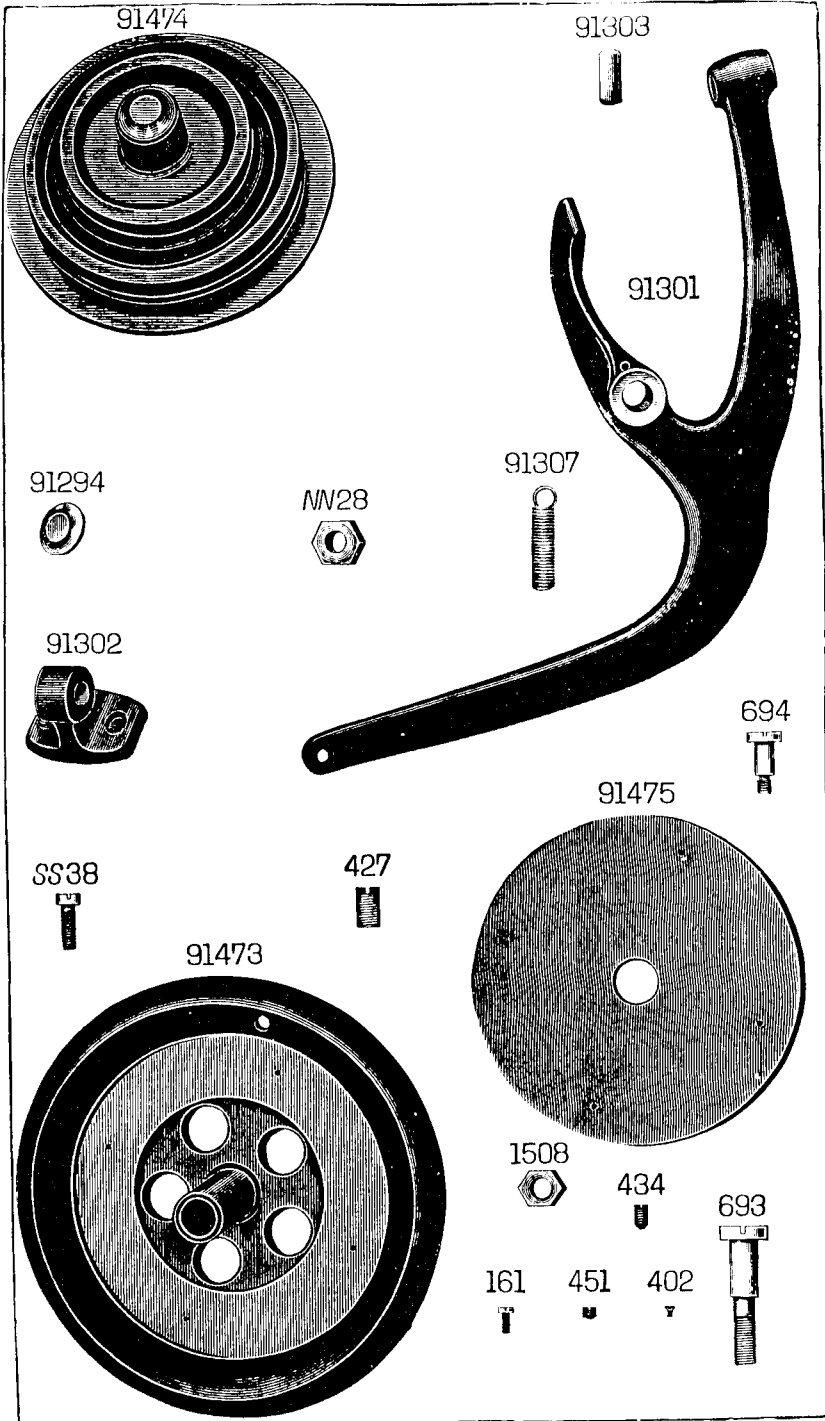


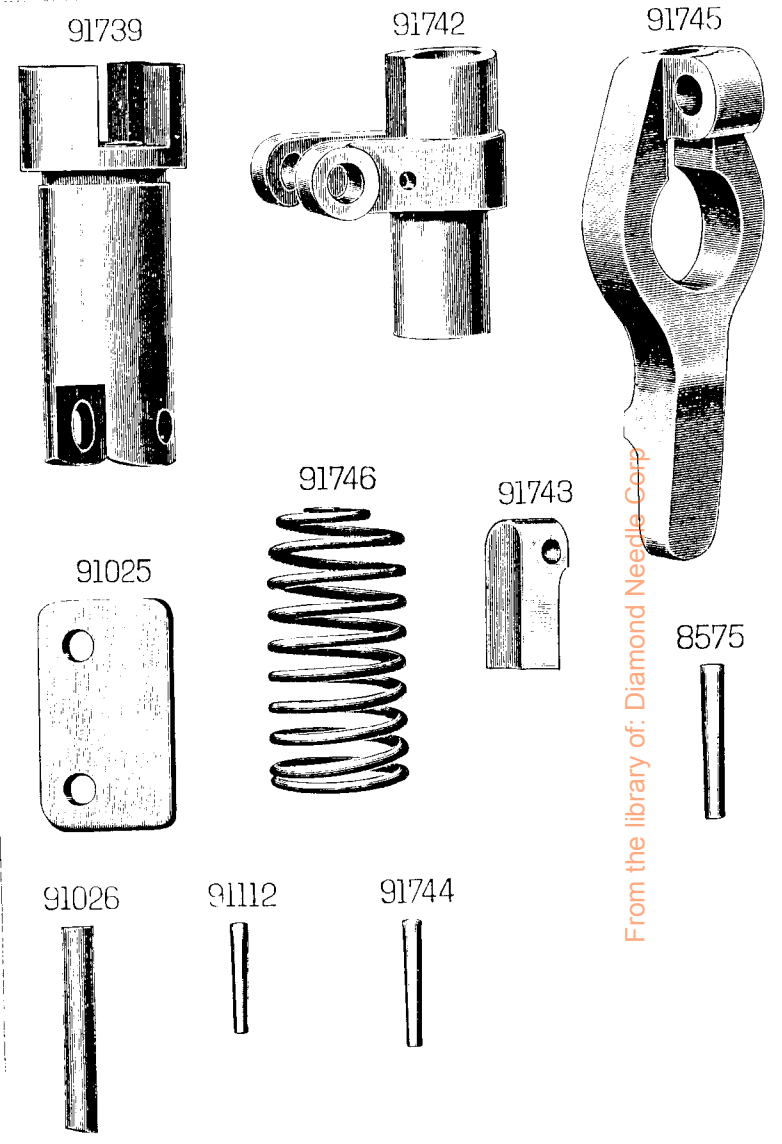
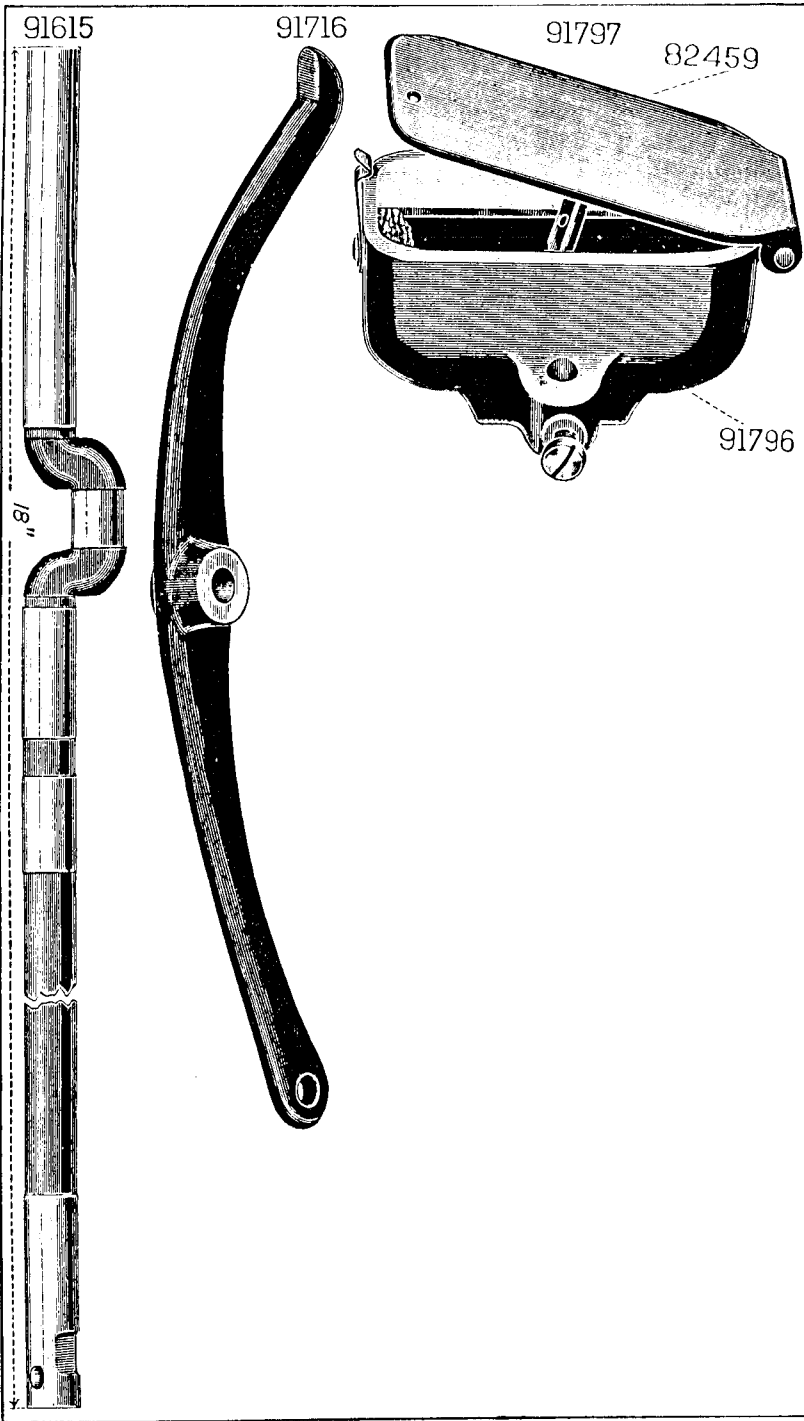
91554



From the library of: Diamond

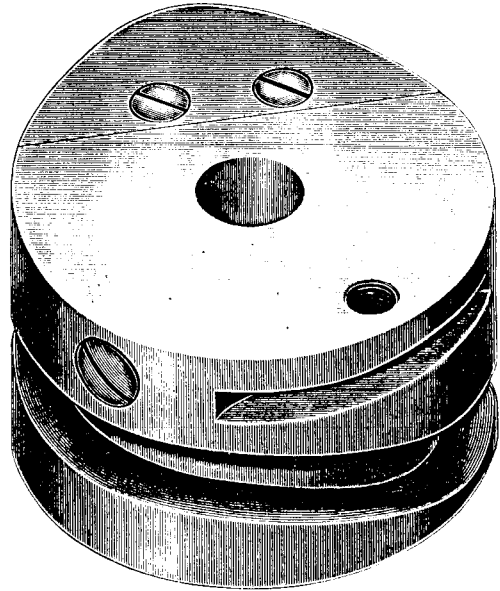




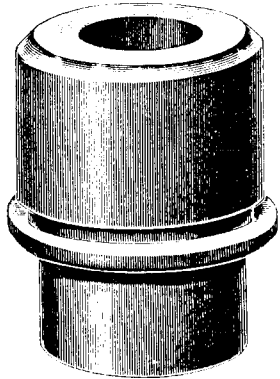


From the library of: Diamond Needle Corp

91710



82549



2106



2455



10141



80106



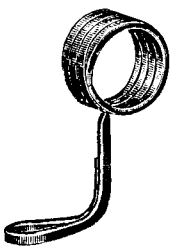
82462



82464



82551



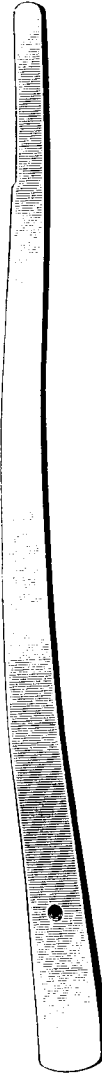
92814



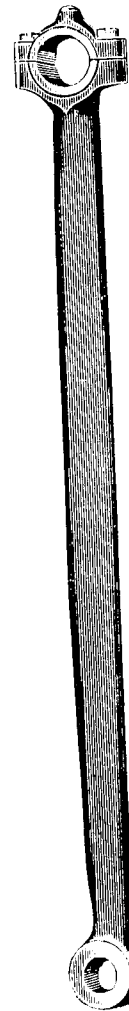
8627



91715

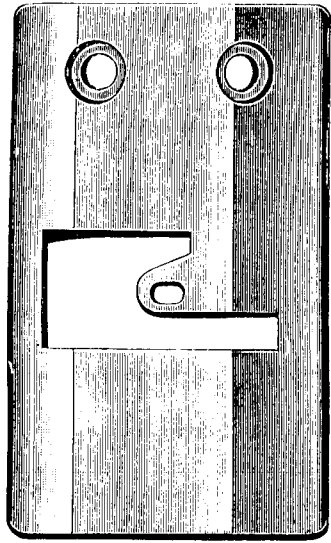


94801

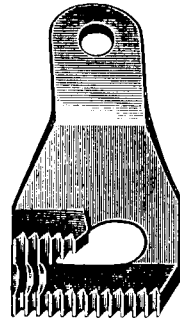


From the library of: Diamond Needle Corp

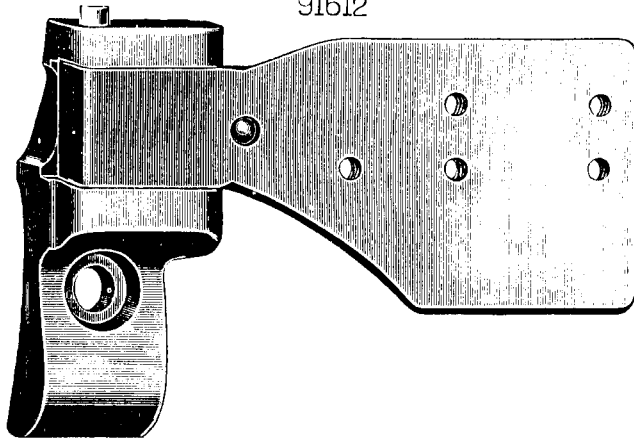
91601



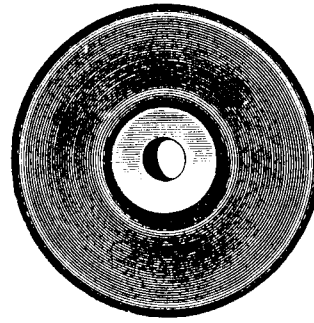
91576



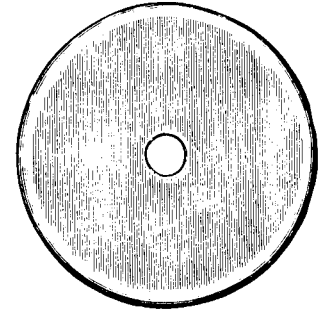
91612



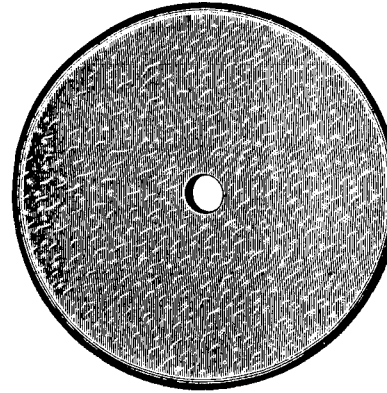
5963



5961

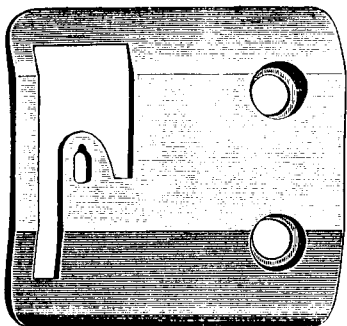


5960

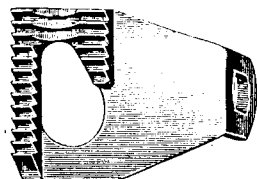


From the library of: Diamond Needle Corp

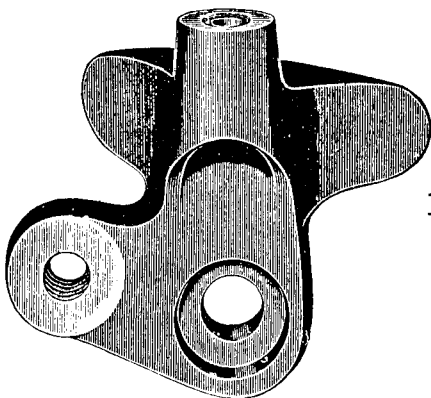
94955



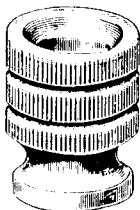
94952



94954



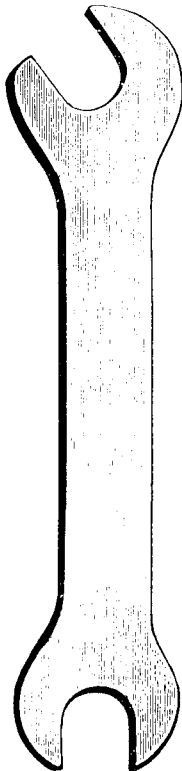
12333



120378



8908



8582



12323



82460



91217



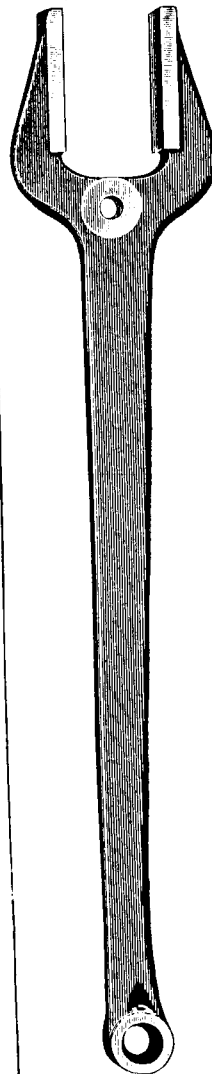
91042



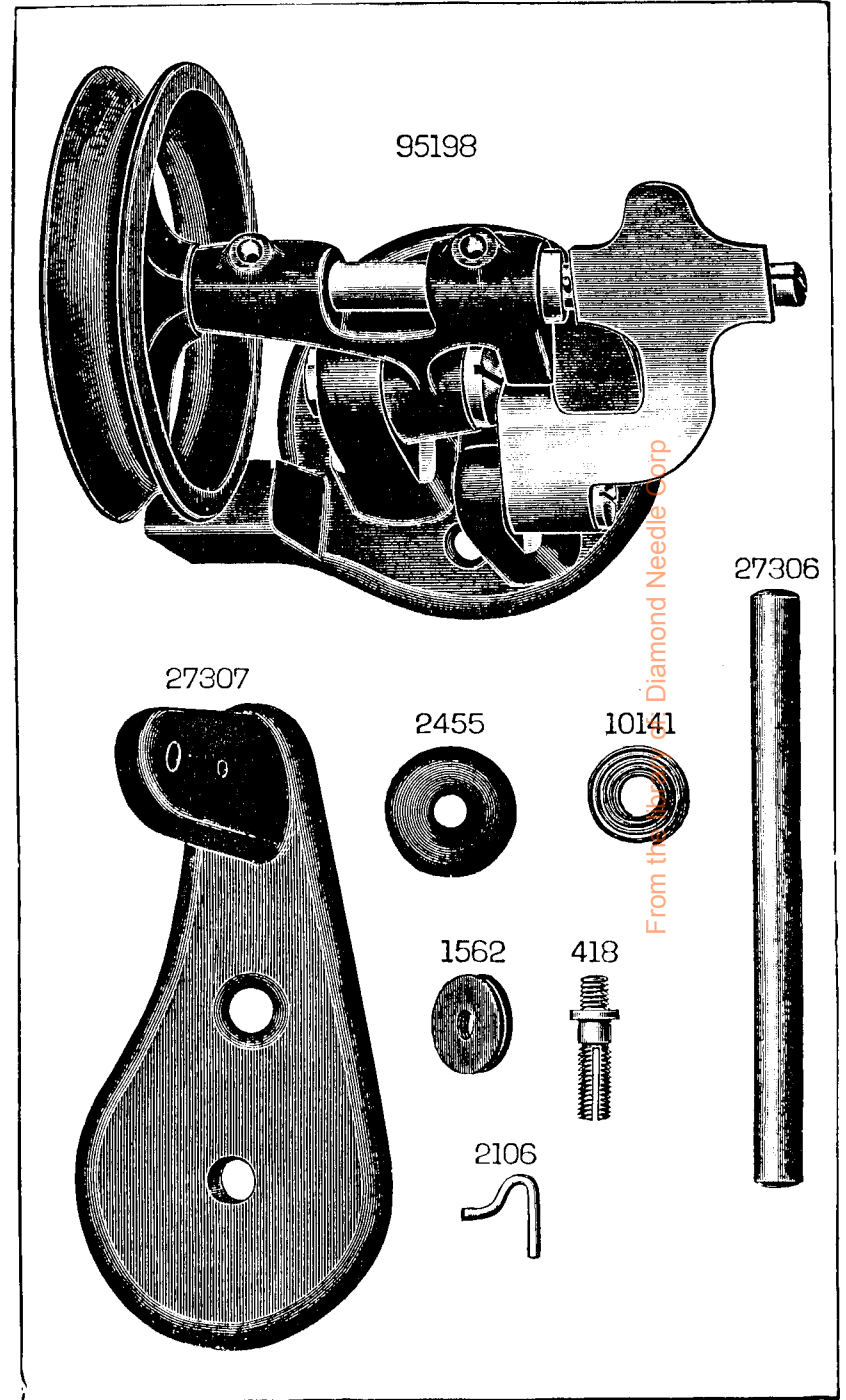
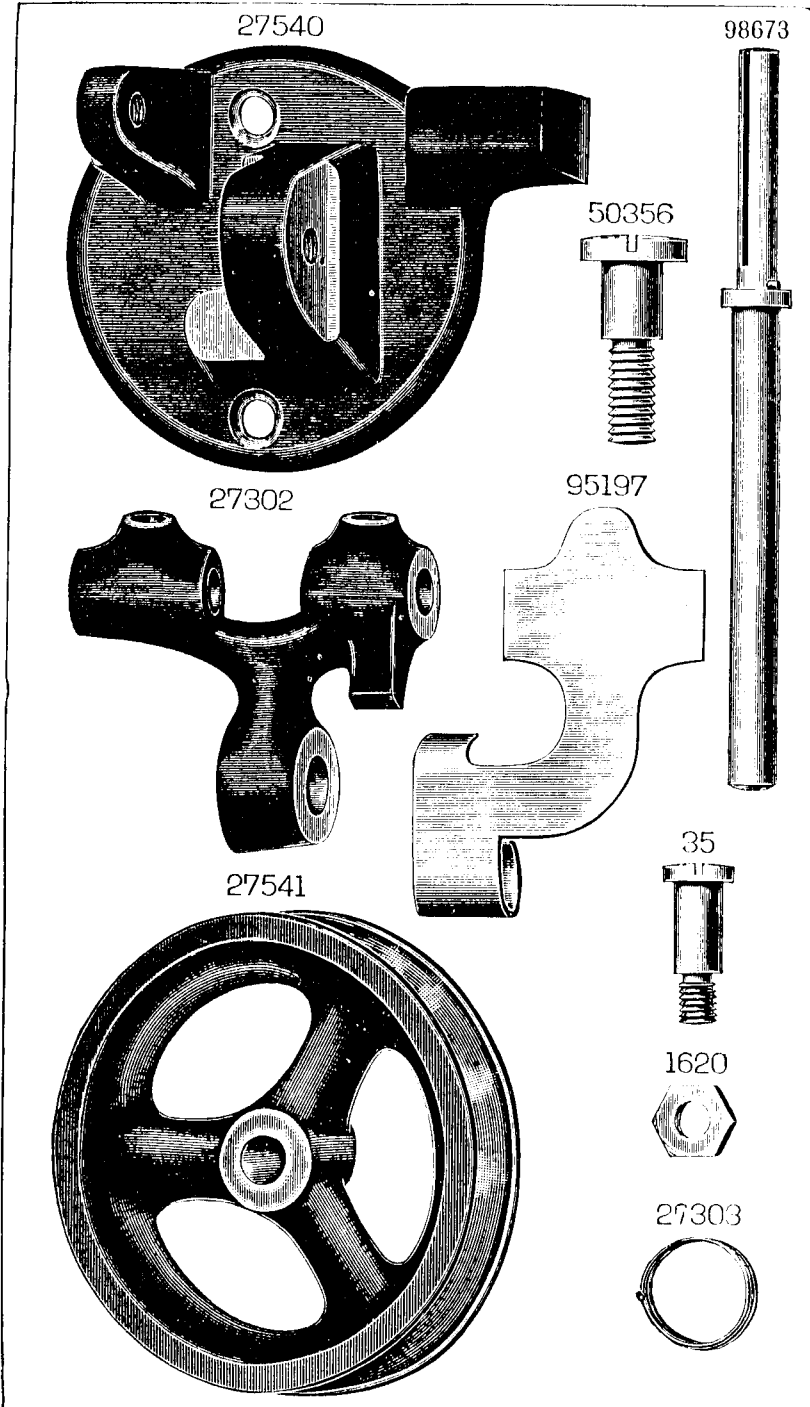
1516



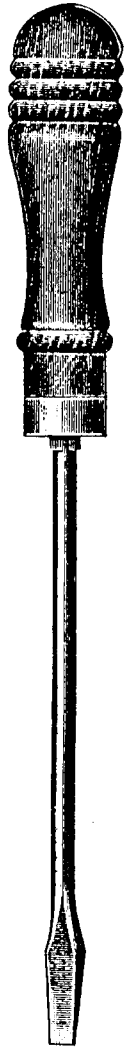
94953



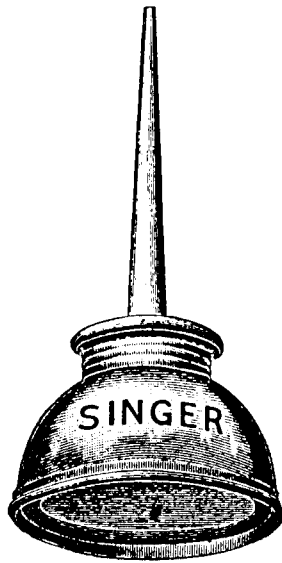
From the library of: Diamond Needle Corp



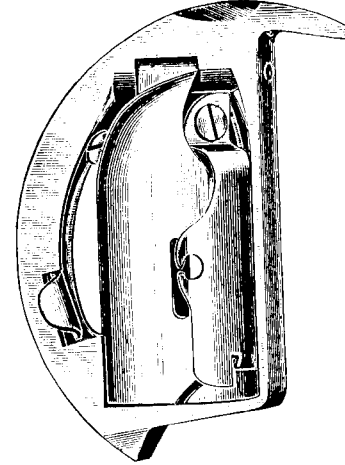
86611



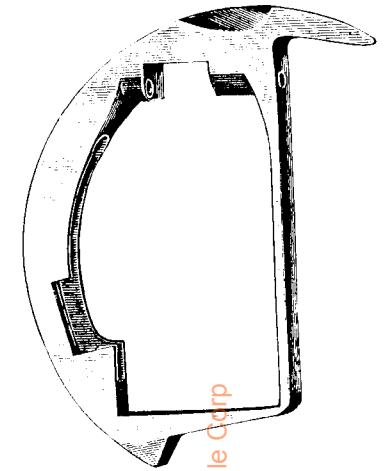
120342



98622
(98623)

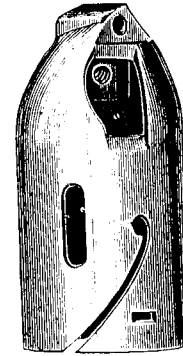


98620

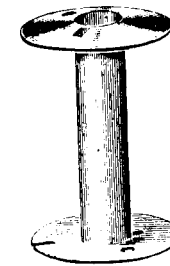


From the library of: Diamond Needle Corp

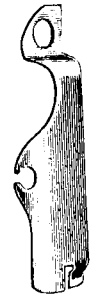
95094



95093



95095



91043



91042

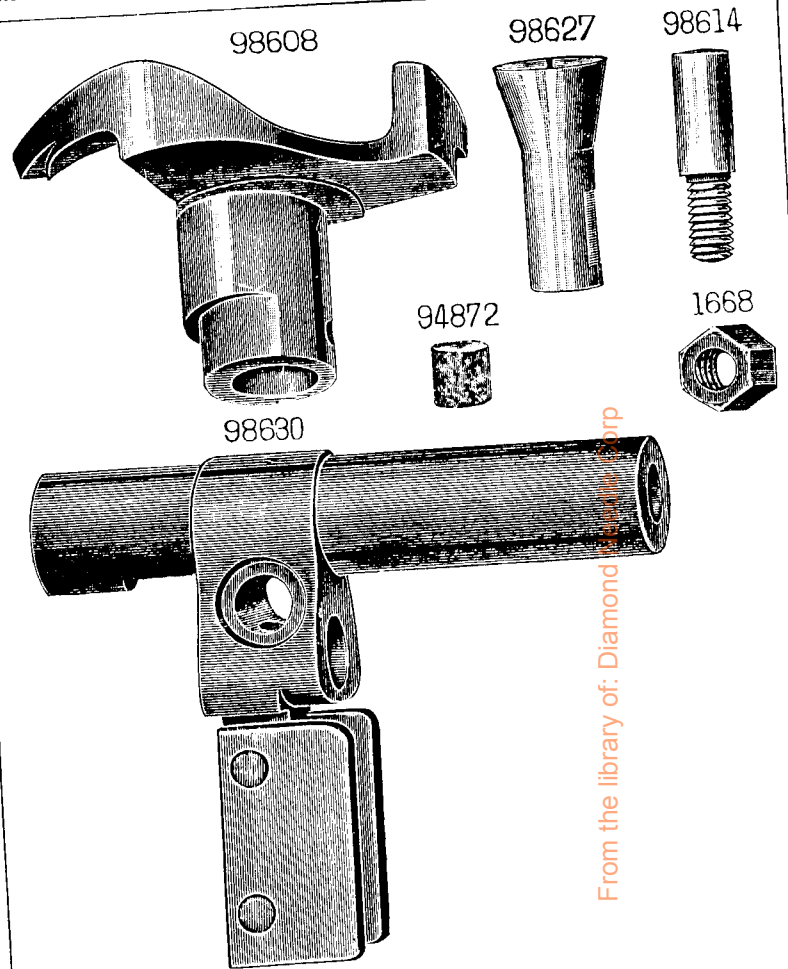
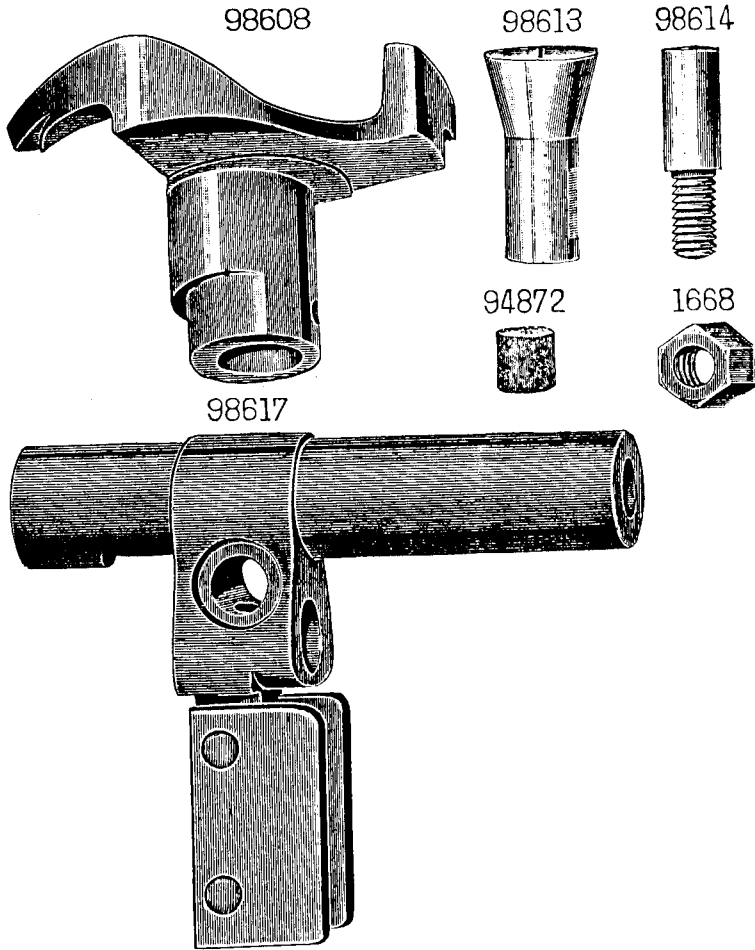


SS377

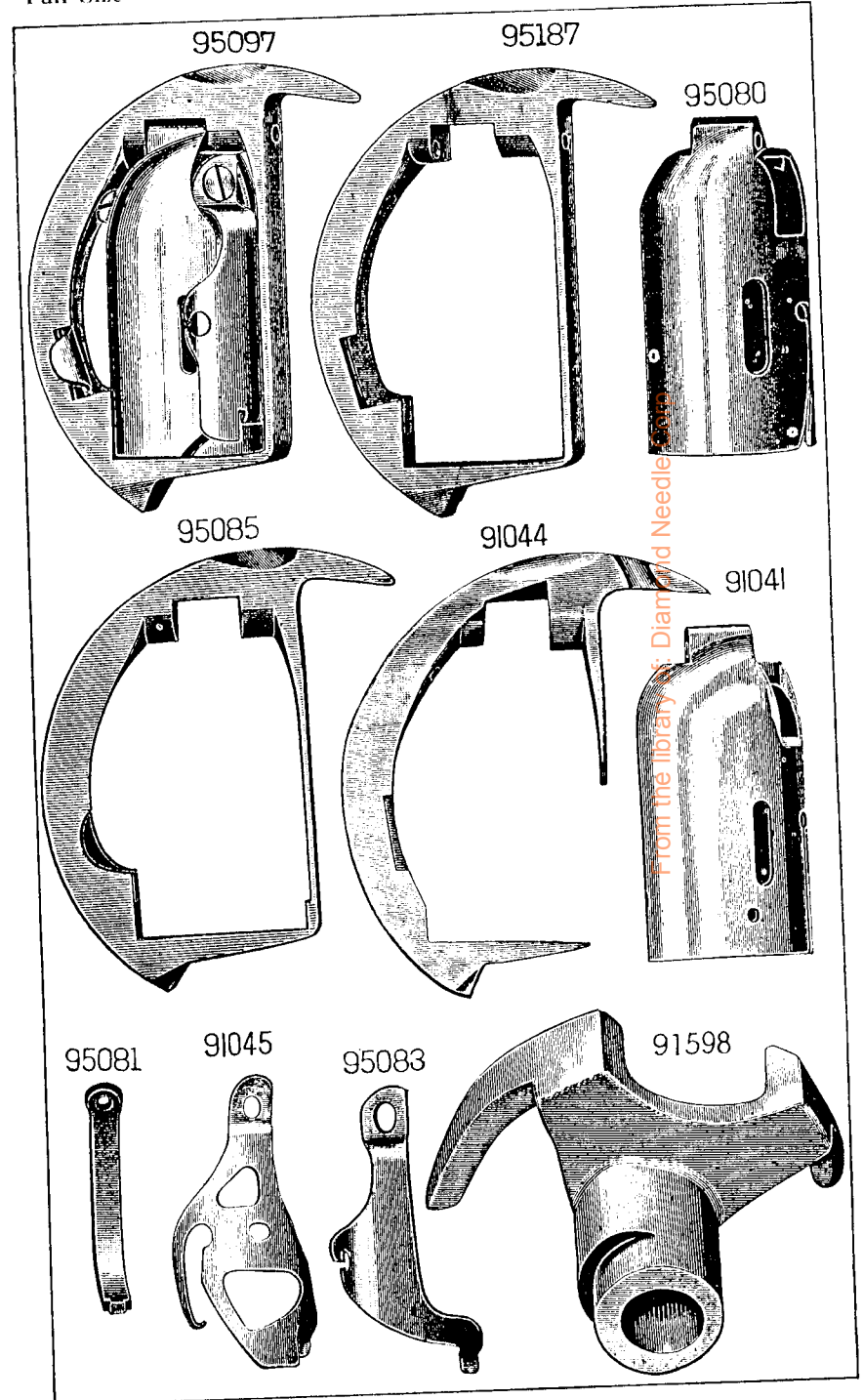
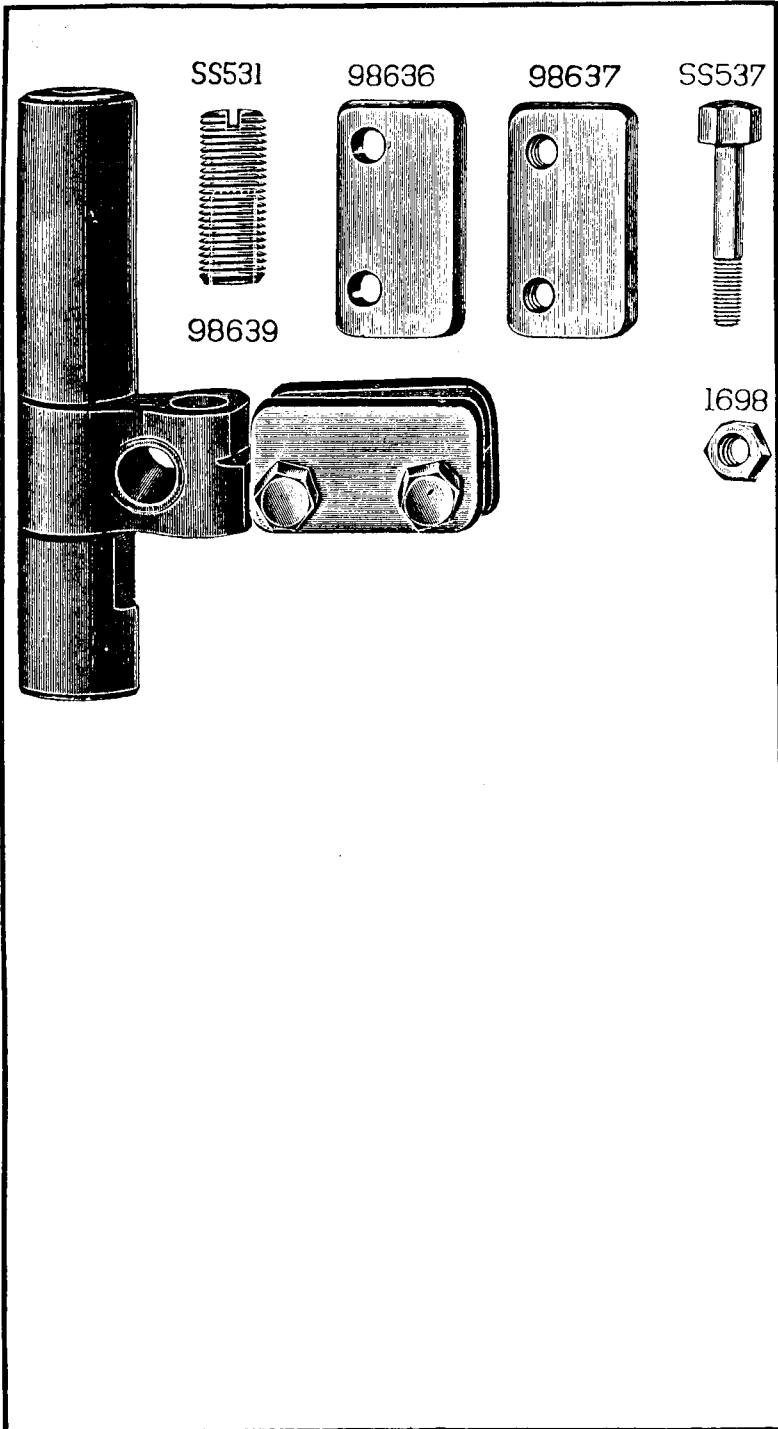


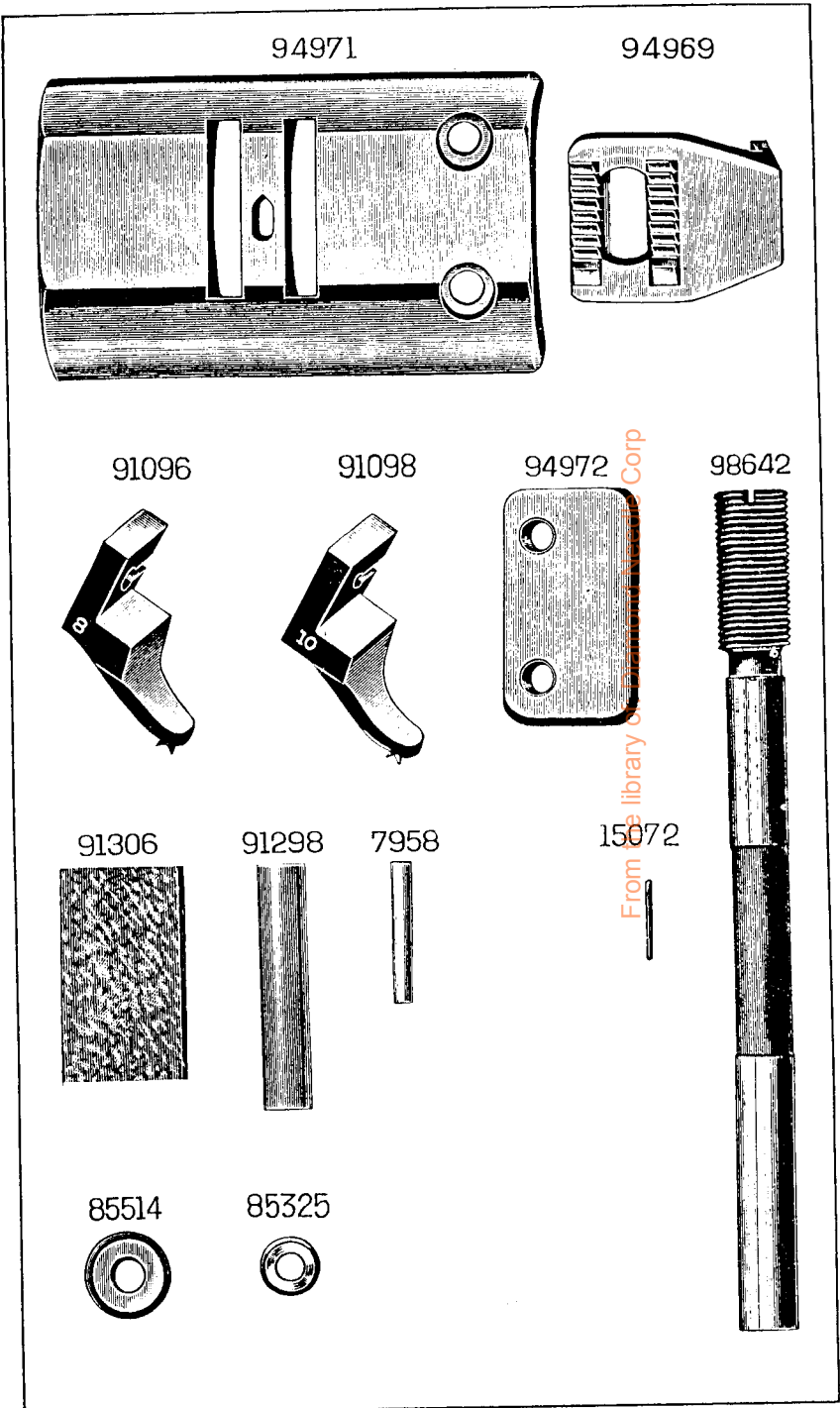
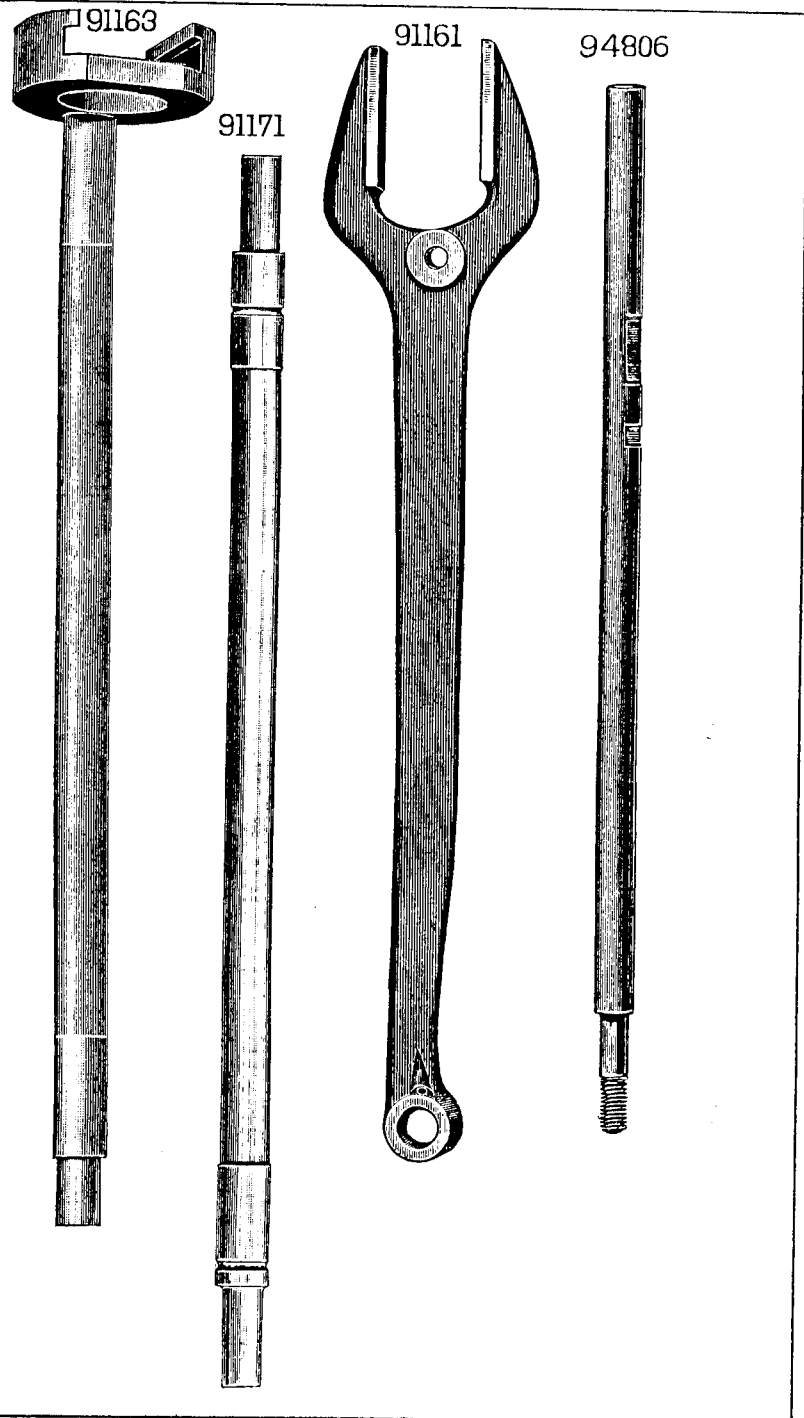
233

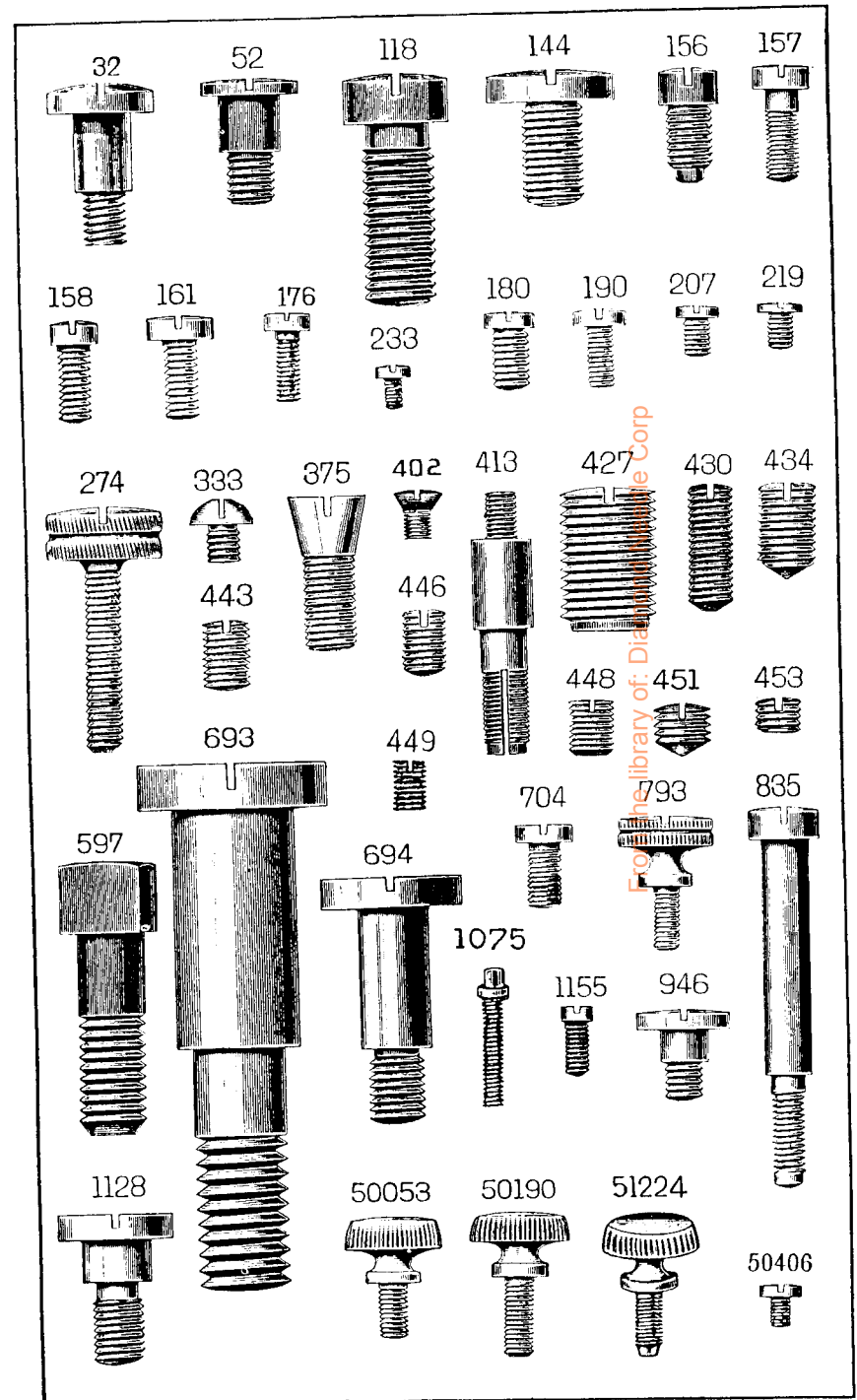
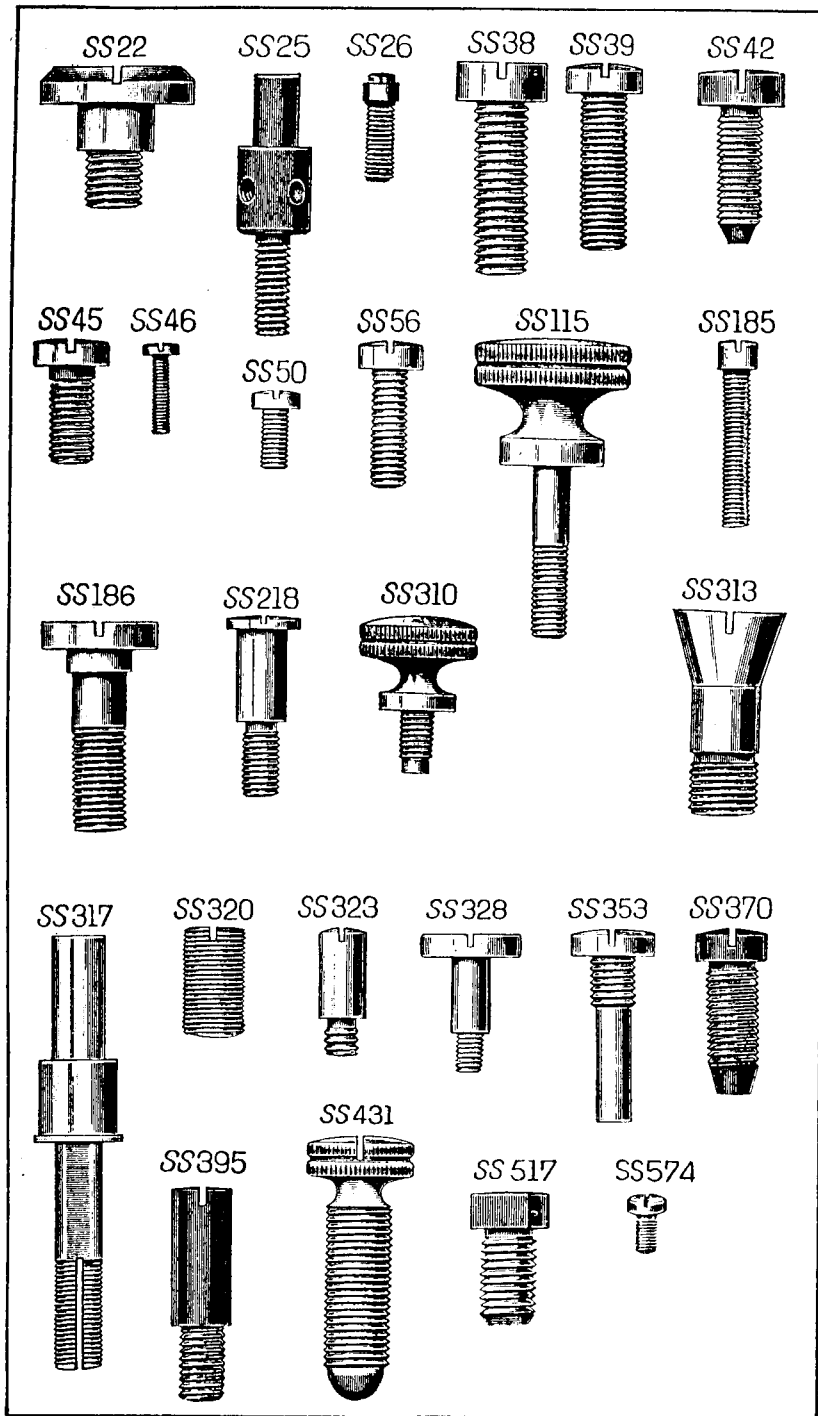


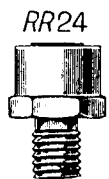
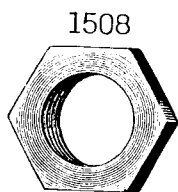
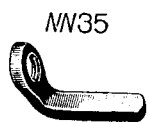
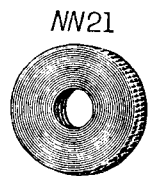


From the library of: Diamond Manufacturing Corp









CONTENTS

	Page
Parts Complete for No. 45K56 Machine	53
" Special to No. 45K89 Machine	61
Accessories	61
Attachments	62
Bobbin Winders	65
Driving Attachment	67
Foot Lifter	66
Obsolete Parts	68
Numerical List of Parts	71

From the library of: Diamond Needle Corp

INSTRUCTIONS FOR ORDERING

In ordering from this List, the prefix and affix letters with the part number MUST BE quoted exactly as they are shown in the first column.

A number always indicates the same part in whatever List it may appear, or for whatever machine.

The affix letters (where shown) indicate the style of finish, as follows:—

- A. Hardened, Polished, Nickel Plated and Buffed.
- B. Polished, Nickel Plated and Buffed.
- C. Hardened only.
- D. Polished only.
- E. Soft, Not Polished.
- F. Hardened and Polished.
- G. Bright Rumbled and Nickel Plated.
- H. Blued.
- J. Nickel Plated only.
- K. Hardened and Nickel Plated.
- L. Brass Plated.
- M. Oxidized.
- R. Phosphate Coating Formed on Surface of Iron or Steel.
- S. Cadmium Plated.
- T. Copper Plated.
- U. Zinc Plated.
- V. Silver Plated.
- W. Polished and Nickel Plated.
- X. Black Oxide for Iron and Steel.
- Y. Black Nickel Plated only.
- Z. Chromium Plated.
- A.A. Buffed and Chromium Plated.
- A.B. Hardened, Polished, Buffed and Chromium Plated.
- A.E. Hardened, Bright Rumbled and Nickel Plated.
- A.F. Hardened, Bright Rumbled, Nickel Plated, Bright Rumbled and Chromium Plated.
- A.G. Alumilite (Plain).
- A.H. Alumilite (Dyed). Colour must be stated.
- A.J. Polished, Nickel Plated and Chromium Plated.
- A.K. Hardened, Polished, Nickel Plated and Chromium Plated.
- A.L. Heat Treated for Toughness.
- A.L.D. Heat Treated for Toughness and Polished.
- A.L.X. Heat Treated for Toughness and Black Oxide.
- A.S. Black Moulded Phenolic.
- A.T. Beige Moulded Phenolic.
- A.U. Brown Moulded Phenolic.
- A.W. Hardened then Flame Coated with Tungsten Carbide.
- B.A. Chrome Nickel, Satin Finish.
- B.B. Hardened and Chrome Nickel, Satin Finish.
- C.R. Hardened and Phosphate Coating Formed on Surface of Steel.
- C.U. Hardened and Zinc Plated.
- F.J. Hardened, Polished and Nickel Plated.
- T.A. Hardened, Polished, Copper and Nickel Plated and Buffed.
- T.B. Copper and Nickel Plated and Polished.
- T.J. Copper and Nickel Plated only.
- T.K. Hardened, Copper and Nickel Plated.
- T.L. Copper and Brass Plated.
- T.M. Copper Plated and Oxidized.
- X.C. Hardened and Black Oxide for Iron and Steel.
- Z.A. Hardened, Polished, Nickel Plated, Buffed and Chromium Plated.
- Z.B. Polished, Nickel Plated, Buffed and Chromium Plated.
- Z.C. Hardened and Chromium Plated.
- Z.D. Polished and Chromium Plated.
- Z.G. Bright Rumbled, Nickel Plated, Bright Rumbled and Chromium Plated.
- Z.J. Nickel and Chromium Plated.
- Z.T. Copper and Chromium Plated.

Parts marked with an asterisk () are furnished only when the repairs are made at Factory.*

Parts Complete FOR No. 45K56 Machine (OBSOLETE)

**Cylinder Bed, Drop Feed, Needle Bar Link, Vibrating and Climbing Presser.
For General Saddlery, Bag and Portmanteau, Rubber Heel Work, etc.**

No.	Plate				
*91701		Arm with 446c, 82499 and 82549
8582	1149	" Dowel Pin (2)
118c	2151	" Screw (3)
91615	1063	Arm Shaft
82499	850	" " Bushing (back)
82549	1071	" " " (front)
446c	2151	" " " Set Screw for 82499
82400	851	" " Oil Tube
144c	2151	" " Screw
82402	847	Arm Side Cover
51224d	2151	" " " Thumb Screw
82403	851	" Spool Pin
*91463		Bed (Cylinder)
94801	1073	Crank Connecting Rod with 94802, 94872 and two 158c
*94802		" " " Cap
94872	1699	" " " Oil Pad
158c	2151	" " " Screw
98627	1741	" " " Hinge Stud
98614	1699	" " " " " Cotter Pin
1668c	1699	" " " " " " " Nut

From the library of: Diamond Needle Co.

No.	Plate						
91574	847	Face Plate
SS45d	2150	"	"	Screw
SS317c	2150	"	"	Tension Screw Stud
1560d	2152	"	"	"	"	"	Regulating Thumb Nut
446c	2151	"	"	"	"	"	Set Screw
82445	854	"	"	"	"	"	Spring
82446	854	"	"	"	"	"	Washer (felt)
82447	854	"	"	"	"	"	(steel)
82448	854	"	"	"	"	"	Wheel
82502		"	"	Tension, complete, Nos. SS317c, 1560d, 82445, 82448, two each 82446 and 82447
82551	1071	"	"	Thread Controlling Lever
82525	851	"	"	"	"	"	Spring
82455	851	"	"	"	"	"	Stop Pin
82450	851	"	"	"	"	"	Eyelet
SS50f	2150	"	"	"	"	"	Screw
82449	851	"	"	"	"	"	Guard
233d	2151	"	"	"	"	"	Screw
2102	851	"	"	"	"	"	Retainer Disc
*413c	2151	"	"	"	"	"	Screw Stud
33892		"	"	"	"	"	413c with 1560d
1560d	2152	"	"	"	"	"	Regulating Thumb Nut
2103	850	"	"	"	"	"	Spring
82503		"	"	Retainer, complete, Nos. 2103, 33892 and two 2102
91575		Face Plate, complete, Nos. SS50f, 233d, 446c, 82449, 82450, 82455, 82502, 82503, 82525, 82551 and 91574
3032	850	Feed Cam with 446c
446c	2151	"	"	Set Screw
52165	851	Feed Connecting Link
375c	2151	"	"	"	"	"	Hinge Screw (2)
1518e	2152	"	"	"	"	"	Nut (2)
91541	856	Feed Dog for Angular Stitch Work
91486	828	"	"	"	"	"	Bag Handle Work
91540	865	"	"	"	"	"	Football Work
91576	1075	"	"	"	"	"	General Work
91538	865	"	"	"	"	"	(single row of teeth, coarse) for Leather Bag, Portmanteau and Motor Lyle Work
94969	2149	"	"	"	"	"	(double row of teeth, coarse) for Leather Bag, Portmanteau and Motor Lyle Work

No.	Plate						
91543	857	Feed Dog (single row of teeth, coarse) for Stitching Rings into Golf Bags
94970		"	"	(double row of teeth, fine) for Saddlery Work
		<i>NOTE. No. 91576 is sent with this machine unless otherwise specified on order.</i>
91160	849	Feed Dog Carrier
704c	2151	"	"	Screw
91161	2148	Feed Forked Connection
375c	2151	"	"	"	"	"	Hinge Screw
1518e	2152	"	"	"	"	"	Nut
82444	852	Feed Regulator
1128e	2151	"	"	"	"	"	Hinge Screw
SS145d	2150	"	"	"	"	"	Thumb Screw
91163	2148	Feed Rock Shaft
91565		"	"	"	"	"	91163 with 98674
98674	852	"	"	"	"	"	Crank with 156f and SS51
SS517c	2150	"	"	"	"	"	Clamping Screw
156f	2151	"	"	"	"	"	Position Screw
91190	852	Guide
793d	2151	"	"	Thumb Screw (2)
91611		Guide Holder
91603		"	"	Bracket
91217	1149	"	"	"	"	"	Hinge Pin
91604		"	"	"	"	"	Hinge Lever
9160	2151	"	"	"	"	"	Screw
91612	1075	Guide Holder (Swing), complete, Nos. 946f, 91217, 91603, 91604 and 91611
SS39d	2150	"	"	Binding Screw
91739	1070	Lifting Presser Plunger
8575	1070	"	"	"	"	"	Position Pin
RR54	851	"	"	"	"	"	Roller
SS323f	2150	"	"	"	"	"	Screw Stud
91740		Lifting Presser Plunger, complete, Nos. RR54, SS323f and 91739

No.	Plate	
82404		Machine Pulley (two speeds) with two 434c
91002		" " (" ") (heavy) with two 434c
434c	2151	" " Set Screw
<i>NOTE: - No. 82404 is sent with this machine unless Heavy is specified on order.</i>		
91580	847	Needle Bar
91022	851	" " Connection with two 158c
158c	2151	" " " Clamping Screw
91240	850	" " " Link
375c	2151	" " " Hinge Screw
1518c	2152	" " " " " Nut
82520	852	Needle Clamp
156f	2151	" " Screw
82521	852	" " Thread Eyelet
50406d	2151	" " " Screw
82522		" " 82520, with 156f, 50406d and 82521
91796	1063	Oil Box
82459	1063	" " Cover
82460	1149	" " " Hinge Pin
80106	1071	" " " Latch Spring
219f	2151	" " " " " Screw
82462	1071	" " " " " Washer
82463		" " Oil Pad (cloth)
SS50f	2150	" " " " " Screw
82462	1071	" " " " " Washer
SS395f	2150	" " Stud Screw
SS42f	2150	" " " " " Set Screw
91797	1063	Oil Box , complete, Nos. SS42f, SS50f, 219f, 80106, 82459, 82460, 82463, 91796 and two 82462
98639	2001	Oscillating Rock Shaft with 98636, 98637, two each SS537e and 1698c
98642	2149	" " " Hinge Pin
1513j	2152	" " " " " Nut
SS531c	2001	" " " " " Screw Bearing
1513j	2152	" " " " " Nut
98636	2001	" " " Steel Plate (bottom)
98637	2001	" " " " " (top)
SS537e	2001	" " " " " Binding Screw
1698c	2001	" " " " " Lock Nut...

No.	Plate	
98641		Oscillating Rock Shaft , complete, Nos. 1668c, 98644, 98627 and 98639
91171	2148	Oscillating Shuttle Shaft
91172	849	" " " Crank with 453c and 1850
11663	852	" " " " Pin
1850	2152	" " " " Roller and Stud
453c	2151	" " " " Set Screw
91806	2148	Presser Bar (round)
91582	847	" " (flat) with 91169
SS185f	2150	" " (") Adjusting Screw
NN35d	2152	" " (") " " Lock Nut
52f	2151	" " (") Hinge Screw
91583	850	" " (") Locking Plate
SS353d	2150	" " (") " " Screw
91595	850	" " (") Lower Guide Bracket with 157f and 91169...
157f	2151	" " (") " " " Clamping Screw
91169	852	" " (") " " " Retaining Spring Pin
RW41	2152	" " (") " " " Roller Screw and Stud
91113	851	" " (") Retaining Spring
91169	852	" " (") " " " Pin
91164	851	" " Automatic Thread Controller with 448c
448c	2151	" " " " " Set Screw
91742	1070	Presser Bar Gripping Bracket
91743	1070	" " " " " Block
91744	1070	" " " " " Retaining Pin
91745	1070	" " " " " Grip Lever
430al	2151	" " " " " " " Adjusting Screw
1520r	2152	" " " " " " " " " Nut
91587	851	" " " " " " " Hinge Pin
91746	1070	" " " " " " " Retaining Spring
1650c	2152	" " " " " " " Lock Nut
NN21d	2152	" " " " " " " Spring Thumb Nut
91747		Presser Bar Gripping Bracket , complete, Nos. 430al, 1520r, 91587 and 91742 to 91745

From the library of: Diamond Needle Corp

No.	Plate				
91590	850	Presser Bar Lifter			
SS186d	2150	" " " "	Hinge Screw		
1518e	2152	" " " "	" " Nut		
91591	850	Presser Bar Lifting Bracket	with 443c and 1155e		
1155e	2151	" " " "	Position Screw		
443c	2151	" " " "	Set Screw		
91697	854	" " " "	Tension Release		
190f	2151	" " " "	" " " "	Binding Screw	
91696	851	" " " "	" " " "	Bracket	
190f	2151	" " " "	" " " "	" Screw	
91699		" " " "	91591 with 91696, 91697 and four 190f		
91594	847	" " " "	Cam		
704c	2151	" " " "	" Screw		
SS355e	850	" " " "	Screw Bushing		
91248	854	" " " "	Spring (spiral)		
8627	1073	" " " "	(flat)		
91715	1073	Presser Bar Spring (flat) for use with machine when fitted with Foot Lifter			
1539d	2152	" " " "	Thumb Lock Nut		
274d	2151	" " " "	" Screw		
91499	828	Presser Feeding Foot (plain) with serrated toes, for Saddlery, Leather Bag, Portmanteau and Motor Tyre Work			
91550	854	Presser Foot (plain) with single toe serrated			
91596	854	" " (") " " Two toes serrated			
91548	854	" " " " with single point and serrated toe to left of needle			
91552	856	" " " " for Angular Stitch Work			
86142	837	" " " " Bag Handle Work			
91554	857	" " " " Stitching Rings into Golf Bags			

NOTE. No. 91550 is sent with this machine unless otherwise specified on order.

91092	---	Presser Foot Feed Point , $\frac{1}{8}$ " Square Stitch			
91093	---	" " " " $\frac{1}{8}$ " Twist Stitch			
91094	---	" " " " $\frac{1}{8}$ " Square Twist			
91095	---	" " " " $\frac{1}{16}$ " Twist Stitch			

No.	Plate				
91096	2149	Presser Foot Feed Point , $\frac{1}{8}$ " Square Stitch			
91097		" " " " $\frac{1}{8}$ " Twist Stitch			
91500	828	" " " " $\frac{1}{8}$ " Square Stitch, with serrated toe, for Saddlery Work			
91098	2149	" " " " $\frac{1}{10}$ " Square Stitch			
91099		" " " " $\frac{1}{10}$ " Twist Stitch			
91501	828	" " " " $\frac{1}{10}$ " Square Stitch, with serrated toe, for Saddlery Work			
91100		" " " " $\frac{1}{12}$ " Square Stitch			
91101		" " " " $\frac{1}{12}$ " Twist Stitch			
91502	828	" " " " $\frac{1}{12}$ " Square Stitch, with serrated toe, for Saddlery Work			
91102		" " " " $\frac{1}{11}$ " Square Stitch			
91103		" " " " $\frac{1}{11}$ " Twist Stitch			

NOTE. Presser Foot Feed Points may be used with this machine, but are only supplied when specified on order and at an extra charge.

50190d	2151	Presser Foot Thumb Screw			
95093	1695	Shuttle Bobbin			
95094	1695	" Cylinder			
91042	1695	" " Hinge Pin			
91043	1695	" " Latch Spring			
SS574d	2150	" " " " " Screw			
98620	1695	" Frame			
95095	1695	" Tension Spring			
SS377f	1695	" " " " Adjusting Screw			
98623	1695	Shuttle (Cylinder) $2\frac{1}{2}$ " diam., complete, Nos. SS377f, SS574d, 91042, 91043, 95093 to 95095 and 98620			
98608	1699	Shuttle Driver and Feed Raising Cam			
11663	852	" " " Pin			

NOTE. Shuttle Driver No. 98608 must be used in conjunction with Shuttle No. 98623 and vice versa. These new parts are not interchangeable with the old.

91451	827	Shuttle Race (cast iron)			
91315	849	" " Cap Spring			
SS218d	2150	" " " " " Screw			
91452	827	" " Cover			

From the library of: Diamond Needle Co.

No. 45K56 MACHINE PARTS

No.	Plate				
91430	849	Shuttle Race	Ring
SS318e	849	"	"	"	Position Screw Stud (2)
91709	-	Thread Take-up Cam	with SS320c and SS370c
SS320c	2150	"	"	"	Set Screw
SS370c	2150	"	"	"	Timing Screw
91710	1071	"	"	"	91709 with 91594 and two 704c
91505	-	Thread Take-up Lever	
SS22f	2150	"	"	"	Hinge Screw
92814	1071	"	"	"	Roller
SS328e	2150	"	"	"	" Screw
RR24	2152	"	"	"	" and Stud
1519e	2152	"	"	"	" " " Nut
91507	850	Thread Take-up Lever , complete, Nos. RR24, SS328e, 1519e, 91505 and 92814	
91557	856	Throat Plate	for 91541
91508	828	"	"	"	91486 and 91538
91555	865	"	"	"	(short) for 91540
91556	865	"	"	"	(long) for 91540
91601	1075	"	"	"	for 91576
94974	-	"	"	"	(fine needle hole) for 94969 and 94970
94971	2149	"	"	"	(coarse needle hole) for 94969 and 94970
91559	-	"	"	"	for 91561
*91560	-	"	"	"	Raised Plate for 91561
190c	2151	"	"	"	" Screw for 91561
91561	857	"	"	"	complete, Nos. 91559, 91560 and two 190c for 91543
180f	2151	"	"	"	Screw (2)

NOTE.—No. 91601 is sent with this machine unless otherwise specified on order.

94890	-	Work Plate	for all Throat Plates except 91508 and 91555
94968	-	"	"	"	91508 and 91555
SS39d	2150	"	"	"	Screw

NOTE.—No. 94890 or 94968 is supplied only when specified on order and at an extra charge.

Parts Special TO No. 45K89 Machine

Cylinder Bed, Reversible Drop Feed, Needle Bar Link, Vibrating and Climbing Presser. For General Saddlery, Bag and Portmanteau, Rubber Heel Work, etc.

This Machine is the same as 45K56, with the following exceptions:

No.	Plate				
*94951	-	Arm	with 446c, 82499 and 82549
94952	1149	Feed Dog	
94953	1150	Feed Forked Connection	
94954	1149	Feed Regulator and Reverser	
12333	1149	"	"	"	Handle
12323	1149	"	"	"	Friction Spring
835d	2151	"	"	"	Screw
SS431e	2150	Feed Regulating Thumb Screw	
1516e	1149	"	"	"	" Nut
94955	1149	Throat Plate	
94968	-	Work Plate	

NOTE.—No. 94968 is supplied only when specified on order, and at an extra charge.

Accessories

51077c	849	Instruction Book
6055	849	Machine Bolt with 1524c, 3" x 1" (4)
		" " Washer (4)
		Needles (6)
120342	1600	Oiler
86611	1600	Screw Driver (large)
120378	1149	Screw Driver (shuttle tension)
95093	1695	Shuttle Bobbin (2)
8908	1149	Wrench

Attachments

ATTACHMENT FOR SADDLERY WORK

No.	Plate	
85749	176	Base
85750	176	" Spring
85751	176	" " Regulator with SS310d
SS310d	2150	" " " Thumb Screw
207d	2151	" " Screw
85325	2149	" " " Washer
85752	176	Binder only, complete, Nos. 207d, 85325 and 85749 to 85751
85822	176	Combination Guide
85823	176	" " Base
161d	2151	" " Screw
85514	2149	" " " Washer
85824	176	Combination Guide, complete, Nos. 161d, 85514, 85822 and 85823
85535	176	Presser Foot
85829	176	Saddlery Attachment , complete, Nos. 85535, 85752 and 85824

ATTACHMENT FOR STITCHING BAG HANDLES

(Rope Inserted).

No.	Plate	
86264	842	Feed Dog
86265	842	Guide
86266	842	" Spring
703d	842	" Thumb Screw
86267	842	Presser Foot
86268	842	Throat Plate
86269	842	" " Guide
793d	2151	" " " Thumb Screw
86270	842	Throat Plate 86268 with 86269 and two 793d
86271	842	Attachment , complete, Nos. 86264 to 86267, 86270 and two 703d

BINDER (ADJUSTABLE) FOR LEATHER AND MOTOR CAR HOOD BINDING

No.	Plate	
86202	860	Base
86203	860	Guide (top)
86204		" (bottom) with 1075c
1075c	2151	" (") Screw Stud
1536d	2152	" Regulating Thumb Nut
86205	860	Binder only, complete, Nos. 1536d and 86202 to 86204
91552	860	Presser Foot
86284	860	Binder , complete, Nos. 86205 and 91552

BINDER (ADJUSTABLE) FOR HORSE RUGS

No.	Plate	
86209	845	Base and Folder with SS25d
86210	845	" Guide Wire
50953d	2151	" " " Thumb Screw
SS25d	2150	" Screw Stud
86211	845	Guide (top)
XX19d	845	" Thumb Nut
85514	2149	" " " Washer
86212	845	Binder only, complete, Nos. XX19d, 50953d, 85514 and 86209 to 86211
86278	845	Feed Dog
86207	845	Presser Foot
86280	845	Throat Plate
86282	845	Binder , complete, Nos. 86207, 86212, 86278 and 86280

WELTING ATTACHMENT FOR BAGS, PORTMANTEAUX, Etc.

No.	Plate	
86138	837	Guide (plain)
86139		Base
86140		Adjusting Guide
233d	2151	" " Screw
86141	837	Welting Guide, complete, Nos. 233d, 86139 and 86140
86142	837	Presser Foot
86143	837	Welting Attachment , complete, Nos. 86138, 86141 and 86142

WELTING ATTACHMENT FOR CARRIAGE CUSHIONS

No.	Plate	
85495		Base and Folder
85496		Top Guide
50053d	2151	" " Thumb Screw
85497	836	Welter only, complete, Nos. 50053d, 85495 and 85496
86144	836	Presser Foot (grooved for cord)
86145	836	Welting Attachment , complete, Nos. 85497 and 86144

WELTING ATTACHMENT (ADJUSTABLE) FOR CARRIAGE CUSHIONS

No.	Plate	
86214	859	Welter Base Guide
86215	859	" Braid Guide with SS26e
207d	2151	" " " Screw
85325	2149	" " " Washer
SS26e	2150	" " " Stud
NX44d	859	" " " Thumb Nut
86216	859	" Cord Guide
449e	2151	" " " Set Screw
86217	859	Welter only, complete, Nos. NX44d, 207d, 449e, 85325 and 86214 to 86216
86144	836	Presser Foot (grooved for cord)
86285	859	Welting Attachment , complete, Nos. 86144 and 86217

WELTING ATTACHMENT FOR LEATHER BAGS, PORTMANTEAUX, Etc.

No.	Plate	
86286	859	Welt Guide
86287	859	" " Base
703d	859	" " Thumb Screw
91547	859	Presser Foot
86288	859	Welting Attachment , complete, Nos. 86286, 86287, 91547 and two 703d

WELTING ATTACHMENT FOR HEAVY BOOTS

No.	Plate	
91552	860	Presser Foot
86135	860	Guide (plain)
86127	860	Welt Guide
86289	860	Welting Attachment , complete, Nos. 86127, 86135 and 91552

Bobbin Winders

BOBBIN WINDER (FRICTION) FOR FAST WHEEL MACHINES

No.	Plate	
82527	838	Bracket
SS56d	2150	" Screw
82528	838	Frame
32d	2151	" Hinge Screw
5960	1076	Friction Wheel (leather)
5961	1076	" " Washer
333r	2151	" " " Screw
91446	838	Spindle with 15072
15072	2149	" Bobbin Position Pin
5963	1076	" Flange
91447	838	Frame, complete, Nos. 333r, 5960, 5961, 5963, 82528 and 91446
82537	838	Spring
161d	2151	" Screw
82538	838	" " Washer
91448		Bobbin Winder , complete, Nos. 32d, 161d, 82527, 82537, 82538 and 91447

NOTE: No. 91448 is supplied with these machines unless otherwise specified on order.

BOBBIN WINDER (FRICTION) FOR MACHINES WITH DRIVING ATTACHMENT

This Bobbin Winder is the same as 91448 with the following exceptions:

No.	Plate	
91476	838	Bracket
91477		Bobbin Winder , complete, Nos. 32d, 161d, 82537, 82538, 91447 and 91476

BOBBIN WINDER (SWINGING AUTOMATIC, RIGHT HAND) FOR 95093

No.	Plate	
27540	1487	Base
		" Screw (wood) 1" No. 7 R.H.
27302	1487	Frame
50356b	1487	" Hinge Screw
1620j	1487	" " " Nut
27303	1487	" Spring
27541	1487	Pulley
98673	1487	Spindle with 15072
15072	2149	" Bobbin Position Pin

BOBBIN WINDERS

No.	Plate	
27306	1488	Spool Pin
27307	1488	" Stand
‡27308	"	" " 27307 with 118d, 1562j, 2106, 10111, 27306, two each 2155 and wood screws 1" No. 10

‡As No. 27308 can be supplied either Plated or Japanned, it is necessary, when ordering, to state which is required.

95197	1487	Stop Latch
35d	1487	" " Hinge Screw
2155	1488	Tension Disc
1562j	1488	" Regulating Thumb Nut
118d	1488	" Screw Stud
10111	1488	" Spring
2106	1488	Thread Guide
95198	1488	Bobbin Winder, Nos. 35d, 1620j, 27302, 27303, 27510, 27511, 50356b, 95197, 98673 and two wood screws 1" No. 7 R.H.
95199		Bobbin Winder , complete, Nos. 27308 and 95198

Foot Lifter

No.	Plate	
91716	1063	Arm Lever
694d	2151	" " Hinge Screw
91457	755	Foot Lever with 176e
91459	755	" " Bracket
17881	755	" " " Hinge Pin
		" " " Screw (wood), 1" No. 12
91458	755	" " Extension
176e	2151	" " " Set Screw
98626	755	" " Spring
91454		Foot Lever only, complete, Nos. 17881, 91457 to 91459, 98626 and two wood screws 1" No. 12
17877	755	Foot Lever Pitman Rod (lower)
17878	755	" " " " (upper)
17879	755	" " " " Clamp with two 161d
161d	2151	" " " " " Screw
17880	755	Foot Lever Pitman Rod, complete, Nos. 17877 to 17879
91453	755	" " " " Connecting Hook (7" long)
91455		Foot Lever, complete, Nos. 17880 and 91451
91456		Foot Lifter , complete, Nos. 694d, 91453, 91455 and 91716

Driving Attachment

No.	Plate	
91473	861	Balance Wheel with 434c, 451c, 91475 and four 102e
91474	861	" " Friction Pulley (two-speeds) with 448c and 91291
91291	861	" " " " Centre Bearing
91475	861	" " " " Ring (cardboard)
102e	2151	" " " " " Screw
448c	2151	" " " " " Set Screw
434c	2151	" " " " " Set Screw (long)
451c	2151	" " " " " (short)
91301	861	Lever, with 7958 and 91306
91302	861	" Bracket
SS38c	2150	" " Screw
91303	861	" Centre Plug (wood)
427c	2151	" " " Adjusting Screw
1508c	2152	" " " " " Nut
91306	2149	" Friction Pad (leather)
693d	2151	" Hinge Screw
NN28c	861	" " " Nut
91307	861	" Spring
161d	2151	" " Screw
7958	2149	" " " Pin
91309		Lever, complete, Nos. NN28c, 161d, 427c, 693d, 1508c, 91301 to 91303, 91307 and two SS38c
84275		Shaft Pulley (sectional, grooved), 10" diam., with two 597c
597c	2151	" " Clamping Screw
91296	755	Starting Lever
91297	755	" " Bracket
91298	2149	" " " Hinge Pin
		" " " " Screw (wood) 1 1/4" No. 15
91299	755	Starting Lever, Nos. 91296 to 91298 and three wood screws 1 1/4" No. 15
17877	755	Starting Lever Pitman Rod (lower)
17878	755	" " " " (upper)
17879	755	" " " " Clamp with two 161d
161d	2151	" " " " " Screw
17880	755	Starting Lever Pitman Rod, complete, Nos. 17877 to 17879
91460		Starting Lever and Pitman, complete, Nos. 17880 and 91299
91478		Driving Attachment , complete, Nos. 84275, 91309, 91460, 91473 and 91474

Obsolete Parts
FOR
No. 45K56 Machine

No.	Plate	
91408	847	Arm Shaft
82399	847	" " Bushing (front)
91317	847	Crank Connecting Rod with 91005, 91872 and two 158c
*91005	-	" " " " Cap
SS313c	2150	" " " " Hinge Screw
SS45d	2150	" " " " Set Screw
91577	851	Lifting Presser Plunger
91579	-	Lifting Presser Plunger, complete, Nos. 8K54, SS323f and 91577
91440	849	Oscillating Rock Shaft with 91025, 91972 and two 91026
98617	1699	" " " " 91025, 91972 and two 91026
98630	1741	" " " " 91025, 91972 and two 91026
91025	1070	" " " " Steel Plate (bottom)
94972	2149	" " " " " (top)
91026	1070	" " " " " Rivet
91584	851	Presser Bar Gripping Bracket
91585	851	" " " " Grip Collar
91586	851	" " " " " Layer
91692	-	" " " " 91584 with 575c, 1520f, 91586 and 91587
91588	851	" " " " Grip Retaining Spring
91592	850	" " Lifting Bracket Tension Release
91593	-	" " " " 91591 with 91592 and two 190f
82430	851	" " Spring
91041	2147	Shuttle Cylinder
91044	2147	" Frame
91045	2147	" Tension Spring
SS16f	2150	" " " Adjusting Screw
95080	2147	" Cylinder
95081	2147	" " Latch Spring
233f	2151	" " " " Screw
95085	2147	" Frame
95083	2147	" Tension Spring
95187	2147	" Frame
95097	2147	Shuttle (Cylinder) 2½" diam., complete, Nos. 233f, SS377f, 91042, 91043, 95093 to 95095 and 95187

No.	Plate	
91173	-	Shuttle Driver and Feed Raising Cam
91598	2147	" " " " " " " " " " " "

NOTE. Obsolete Shuttle, Shuttle parts and Shuttle Drivers are not interchangeable with the new style parts, and No. 95091 must be used in conjunction with No. 91598.

82543	851	Thread Controlling Lever
91599	-	Thread Take-up Cam with SS320c and 1065c
91600	847	" " " " 91599 with 91594 and two 701c